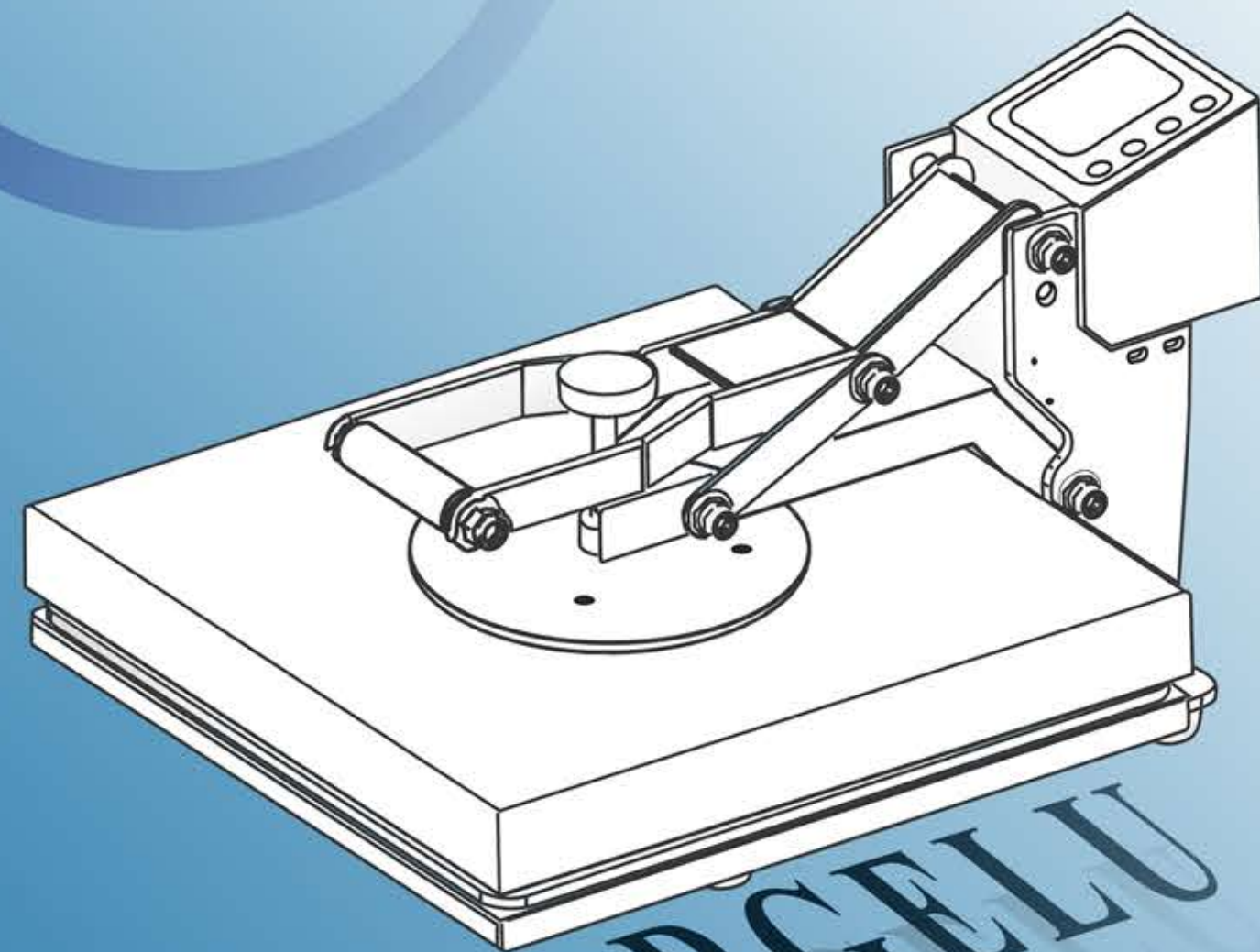


# DUAL-DISPLAY CLAMSHELL HEAT PRESS MACHINE

## INSTRUCTION MANUAL



THIS PRESS IS NOT SUITABLE FOR MINORS OR FOR FOOD PROCESSING

## Preface

Dear customer,

We are truly grateful that you have chosen our Horgelu multi-functional heat press machine. This patented device with slide rails is one of our newly designed successful products from our company, and it is one of the most outstanding ones in the world. Controlled by a microprocessor and designed with a touch control panel, our heat press features high accuracy and easy operation. Its slide rails make adjusting its accessories faster and easier. This heat press machine is perfect for customizing personalized T-shirts, cap/hats, mugs, ceramic plates, baby clothes, accessories, tote bags, mask, pillows, aprons etc.

This manual will illustrate the usage and operations, technical specifications and precautions of this device in detail. Please read this manual carefully before the formal use and keep this manual properly. We hope that this heat press machine can meet all your requirements and serve you for a long time!

Again, thank you so much for choosing us. Your suggestions and feedback have helped us shape our business to perfectly fit more customers' standards. To show our gratitude, we are about to introduce series of new products for our valued customers, please share this with all of your friends.

Please note that items purchased from Horgelu are covered by 1 year warranty from the date of purchase. Please let us know if there is anything we can ever do to assist you further.

## ⚠ WARNINGS

While used properly, this machine is safe and user friendly. However, it has the potential to cause severe burns or fires if used incorrectly. Please read these instructions carefully before using, and do not let children or untrained people use this machine.

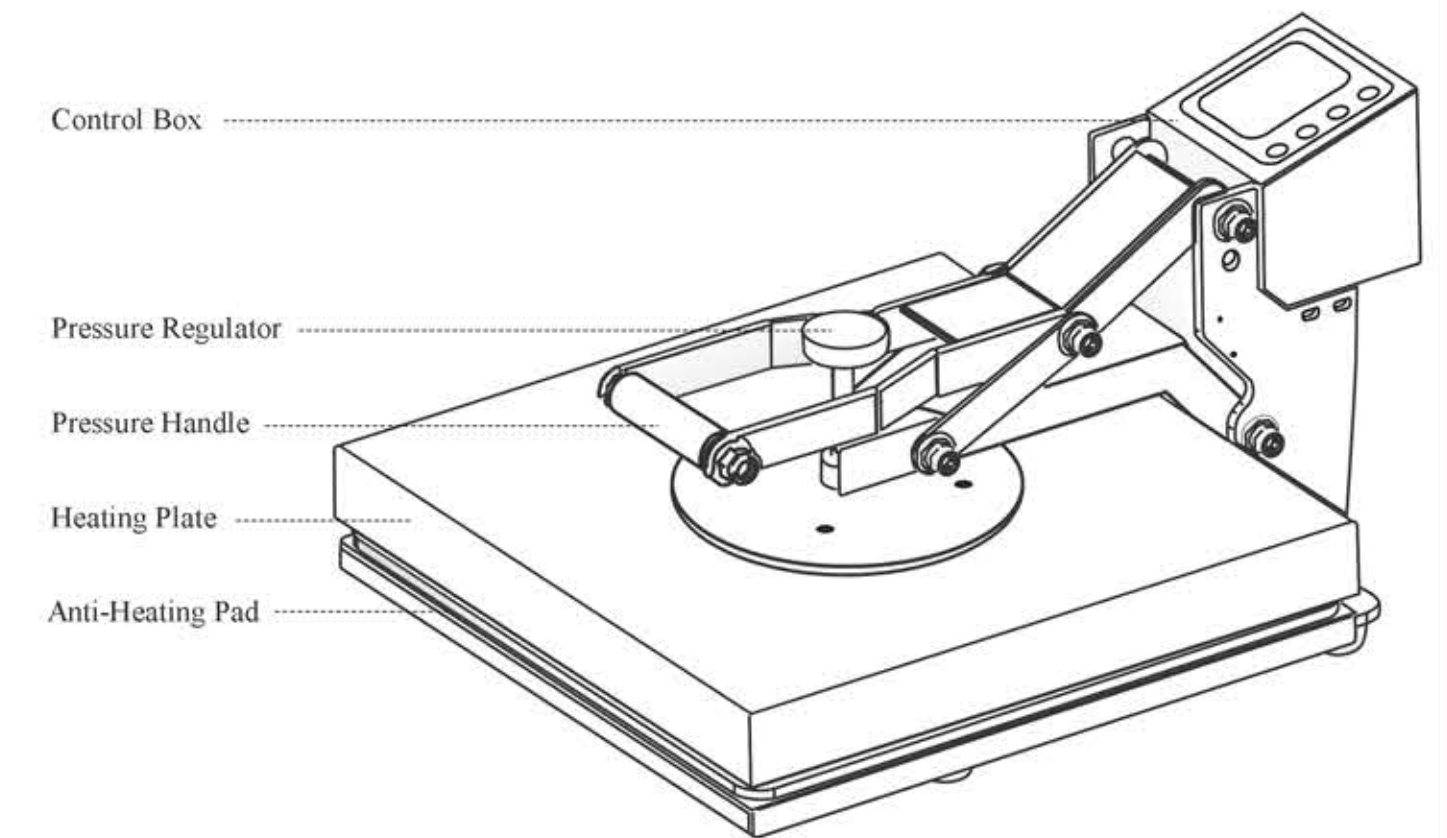
1. This device should only used with American standard 110V/60Hz electricity. Please make sure all plugs are securely fastened, and the machine is protected against any possible surges in the line.
2. Please DO NOT adjust the electrical components or add other appliances to the machine's line.
3. Please remember to adjust the temperature and time appropriately for different materials (See Table 4).
4. Please be careful NOT to confuse the machine's Fahrenheit and Celsius settings.
5. Please make sure that there is someone around the machine when it is in use to prevent accidents and to respond to any emergencies.
6. Please NEVER touch the plates while the machine is in use. ONLY use by the handle. Be careful to avoid direct contact with the heated plates while removing your finished products.
7. Use of heat-resistant gloves to protect your hands and heat-resistant tape to secure your designs are both highly recommended.
8. Please unplug the machine when not in use.
9. Please store this heat press in a location protected against unauthorized use, especially by children.
10. Please do NOT immerse this machine to clean it. Using a dry towel is recommended. If a damp towel is required, unplug the machine; take care not to get water onto any electronic components; and wait for the cleaned area to dry completely before the machine's next use.

1

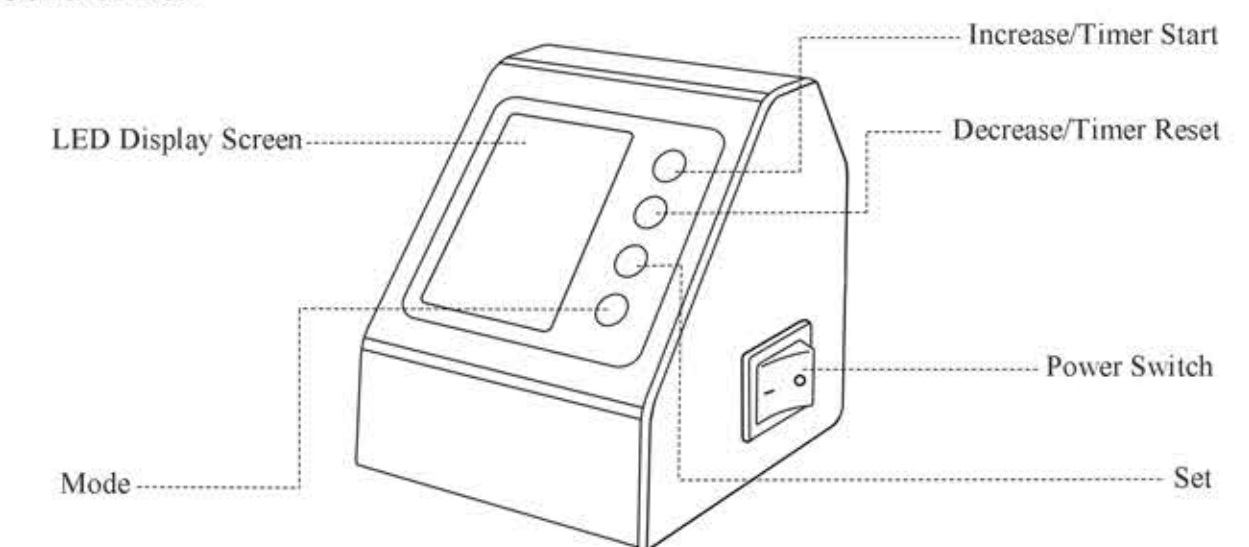
## 1 FEATURES

- A. Dual digital displays, controlled by a microprocessor for greater accuracy.
- B. Auto timer and alarm, setting the time for a smarter using experience.
- C. Built-in fuse, protecting the circuit board and processor for longer using life.
- D. State-of-the-art thermocouple, providing safe, durable and evenly heated plate.
- E. Thick aluminum plates, giving you a better heating effect and resisting corrosion.
- F. Heat-resistant silicone foam mat, able to withstand up to 750°F without deformation.
- G. Coated heating board, which is easy to clean and sticking resistance.

## 2 STRUCTURES



### About Control Box



2

## 3 SPECIFICATIONS

Model	HP04R
Heating Plate size	15×15Inch (38×38cm)
Power	1400W
Package Size	59×48×35cm
Voltage	110V/60Hz
Temperature Range	0-399°F (0-205°C)
Timer	0-999 sec.

Table 1

## 4 CONTROLLER SETTINGS

LED Display	Buttons
Temperature	+ : Increase / Timer Start
Time Countdown	- : Decrease / Timer Reset (Press for 3 seconds to default setting.)
Quantity	Set: Press once to set temperature, press twice to set time.
Mode States	Mode: Press to switch from 3 working modes.

Table 2

Setting	Operations
Temperature setting	Press the "SET" button, and press "+" or "-" to increase or decrease the temperature.
Time setting	Double press the "SET" button, and press "+" or "-" to increase or decrease the time.
Celsius / Fahrenheit conversion	Press the "+" and "-" buttons at the same time to change from centigrade to Fahrenheit.
Start the countdown	Press the "+" buttons on the interface to start the countdown. Press the "-" key to reset.
Switch working mode	Press the "mode" key to switch from the three working temperature modes.

Table 3

Notes:

1. Temperature and time you should set will be vary from different materials with different thickness.
2. Try a small sample to get the right temperature and time before printing in large quantities.
3. If the paper is cold peel, then you need to wait 15-20 sec and peel off paper. If it is hot peel, then you need to peel off paper at once after printing. (Had better peel paper in diagonal line.)

3

## 5 OPERATION INTRODUCTIONS

This heat press's default temperature is 356°F (180°C). The default countdown is 30 seconds. Remember to adjust these settings according to your material (See Table 4). ALWAYS heat up the press with the heating element separated from the base. Never heat up while the two halves are closed together.

1. Open the heating board, and place the materials on the working table, then test the pressure to get right pressure you need.
2. Turn on power, the controller will check automatically. After 10 seconds, set the parameter you need.
3. After setting, the machine will be heating up. (To reach 200°C need about 15minutes)
4. When the machine reaching the temperature you set, then place material on the working table and press down the handle.
5. When the buzzer sounds, lift the handle up, and then take out the material.

**Note:** The function of the controller is complex, please don't press any button for other operation unless you set up the temp, otherwise the process of the controller will be damaged!

## 6 TEMPERATURE & TIME

Transfer Material	Usual temperature	Usual Time	Notes
Usual material	180-200°C (330-380°F)	15-60 sec.	
Ceramic materials	200°C (380°F)	300-500 sec.	-
Cloth	150-180 °C(284-302°F)	20-40 sec.	Only fit for white cloth which contains cotton less than 30%.

Table 4

## 7 TROUBLESHOOTING

Problems	Typical Solutions
Burnt or blurry images	Reduce the time and/or temperature being used.
Faded, colourless images	Increase the time and/or temperature being used.
Failure to heat up despite a normal display on the screen	Check the relay between the control box and the platen. Repair or replace the platen.
Failure to heat up and no display when turned on	Check the cord between the power and the control box. Change the machine's fuse if it has blown.
The actual temperature of the platen is higher than the control box's set temperature	Repair or replace the relay between the control box and the platen.
Pressure screw is difficult to adjusting	Add a little lubricating oil into pressure screw rod.
The handle will pop up automatically when pressed down	Adjust the pressure fixing nails.
Very difficult to lift the handle up	Adjust the pressure fixing rotary knob or the pressure screw in counterclockwise.
Not alarm	Timing sensor switch do not reach the bottom. Adjust pressing screw.

Table 5

## 8 CONTACT US

Dear customer, thank you so much for your purchasing of our product.

If you are satisfied with our product, your share of good experience on our page would be much appreciated!

If you have any questions or concerns, don't hesitate to contact us at [horgelu.amazon@foxmail.com](mailto:horgelu.amazon@foxmail.com). We'll resolve your issues ASAP.

4

5