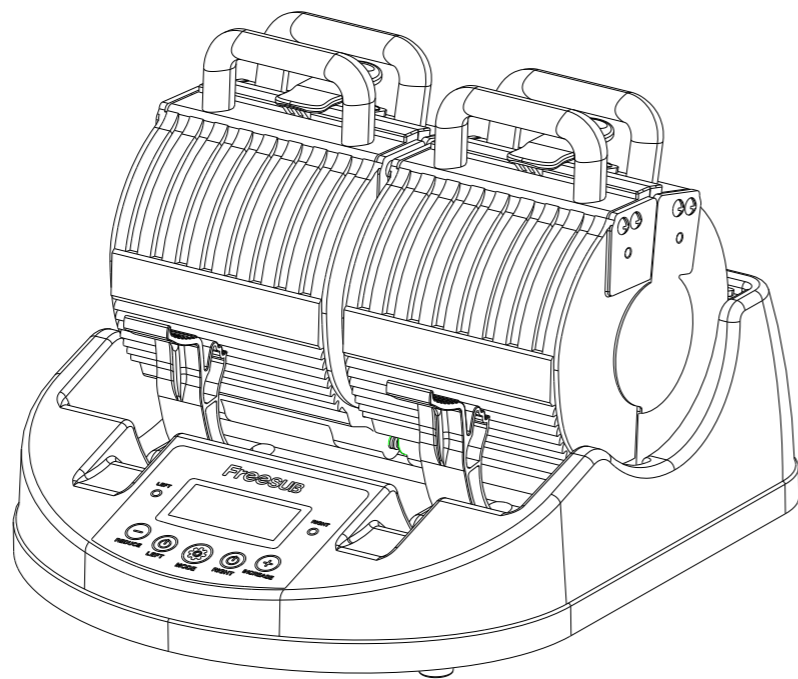


HEAT PRESS P6200



EN Start Here

Warnings must be followed carefully to avoid body injury.



Transfer Parameter(for reference)

Mug	Aluminum bottle	Small glass	Big glass
300S	200S	330S	300S
300°C	300°C	300°C	300°C

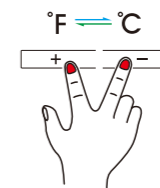
Main parameters

Product Name	Double-Station Mug Printing Machine	Rated voltage	220V~230V	110V~120V
Item No.	P6200	Rated frequency	50Hz	50-60Hz
Highest temperature	300°C 572°F	Rated power	1200W	
Longest time	999S	Length of the cable	1.5M	
Packing size	450*405*310mm			

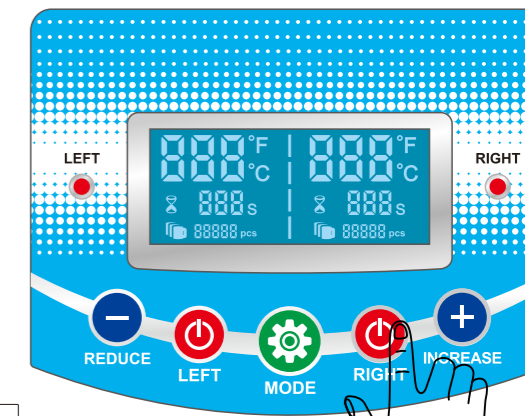
Feature commentary

1

- REDUCE
- MODE
- LEFT/RIGHT
- INCREASE



Note: Press (+/-) to switch Fahrenheit and Celsius



REDUCE

1. Set value reduction
2. When the key is closed, Press and hold for 10 seconds, the count returns to zero.

INCREASE

Increase the setting value

LEFT

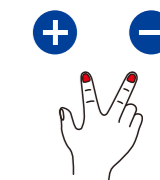
Left key switch position

MODE

1. Press once to set the left station temperature.
2. Press again to set the left station time.
3. Press again to set the right station temperature.
4. Press again to set the right station time.
5. Press again to reset.

RIGHT

Right key switch position

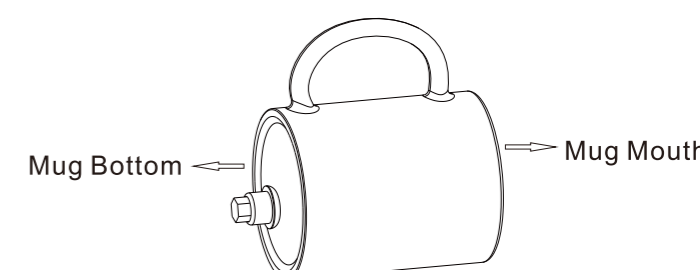
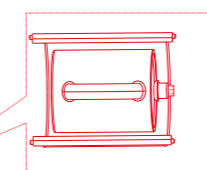
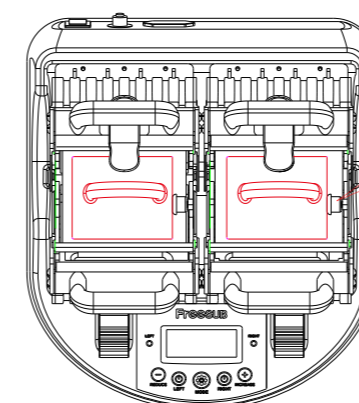


Temperature conversion
°F ↔ °C
Fahrenheit~Celsius

Silicone Mug Clip



Warning



Place the bottom of the cup toward the positioning post and place it in the cup holder so that the bottom of the cup contacts the positioning post



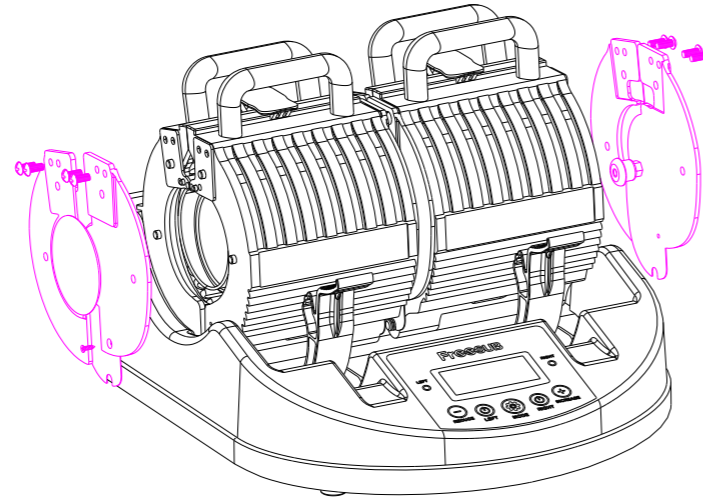
Accessories will vary according to the model customer selected, pictures for reference only.

Accessories installation diagram

Please perform all operations after power off

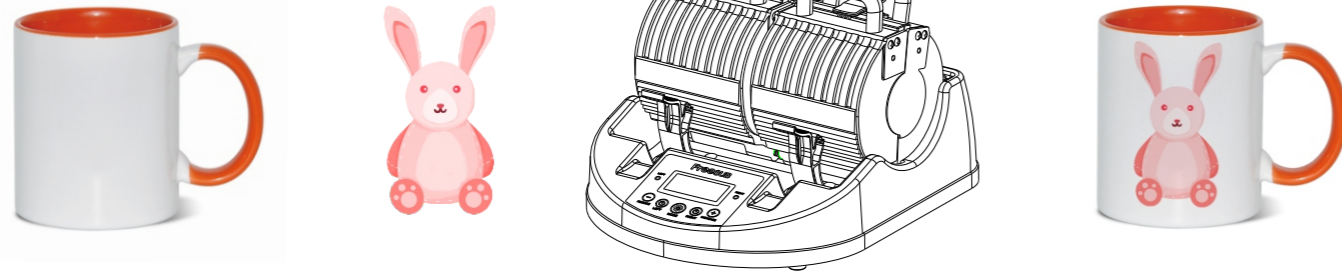


STEPS TO TAKE COVER



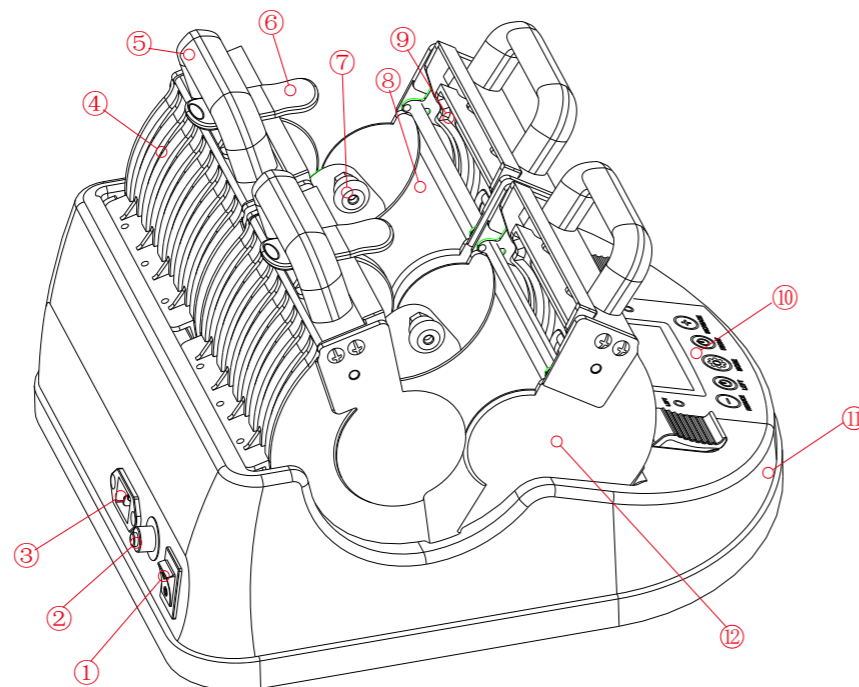
1. Take out the screws on the cover.
2. Remove the plastic cover.
3. Secure the patch with screws.

Side Mug



1. Set time temperature.
2. Transfer the picture to the cup.
3. After the temperature is reached, put the cup into the baking machine and compact it.

Main spare parts



1. Power switch
2. Thermal insurance
3. Socket
4. Shell
5. Handle
6. Buckle
7. Cup stop
8. Cup holder
9. Fever
10. Control Panel
11. Dock
12. Bezel

Guarantee

The products are strictly based on the Consumer Protection Law of the People's Republic of China and the Product Quality Law of the People's Republic of China. The services are as follows:

Within 12 months, this product has the performance failure listed in the "Product Performance Failure Table". It is confirmed by SUNMETA and can be used for maintenance service free of charge. If out of validity, damage caused by force majeure, or human causes, the machine is not covered by the warranty, repair in charge.

Safety instruction: Before operating this unit, please read these instructions completely and save them

Notice

- △ Keep unplug when moving the machine
- △ Keep unplug when installing accessories
- △ Place on a flat and stable platform and operate under ventilated conditions
- △ Wear special protective equipment when operating the machine

Warning Improper use may result in electric shock, fire, personal injury and other damage.

- ⊗ Do not use this machine in a hazardous location
- ⊗ Do not use when the machine is not working properly.
- ⊗ Do not allow children or adults who do not understand this manual to operate this machine.
- ⊗ Do not disassemble and repair this machine.
- ⊗ Do not use an unsuitable AC outlet.
- ⊗ Do not touch the heating plate when the machine heating.



Warning

warranty content

Product Performance Failure Table

Machine body	Parts of the machine itself (excluding main parts)	One year	Fault 1	The machine cannot be used normally according to the operating procedure
Main parts	Ceramic heating plate	One year	Fault 2	Heating plate not heating
	PCBA(circuit board)	One year	Fault 3	Display error
	Silicone Mug Clip	Free consumables, no warranty.		

Circuit Board Wiring Method

2

Electrical schematic diagram

1. FireWire
2. Connect the motherboard and display cable
3. Button switch
4. Button switch
5. NTC temperature probe
6. Group A temperature probe +
7. Group A temperature probe -
8. Group B temperature probe +
9. Group B temperature probe -
10. Group B ceramic heating sheet
11. Group A ceramic heating sheet
12. Group B ceramic heating sheet
13. Group A ceramic heating sheet
14. Zero line

