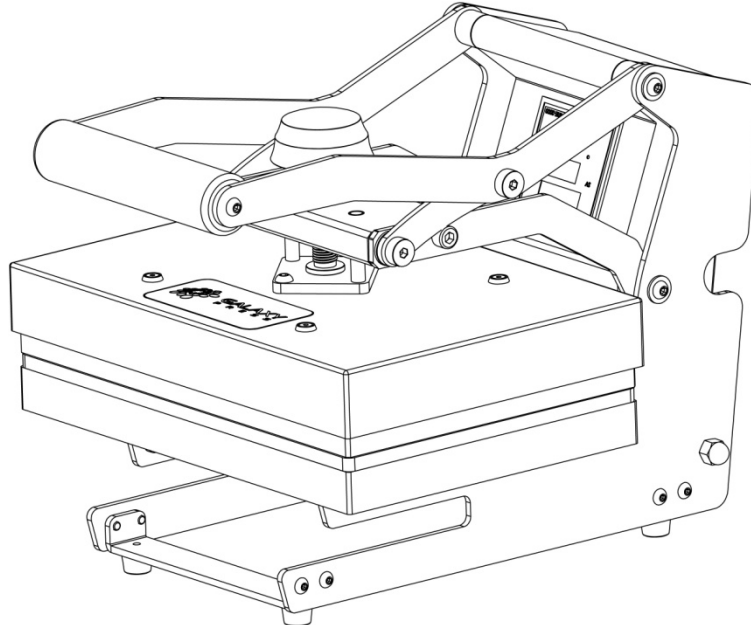


Operation Manual

(Hobby Press II GS-802)



Technical Parameters (技术参数)




1. Model NO: Hobby Press II (GS-802)
2. Machine Size: L47*W23*H39cm
3. Heater Size: 9''*12''
4. Lower Platen Size: 9''*12''
5. Voltage: 220V/110V
6. Power: 700W
7. Time Range: 0~999S
8. Maximum Temp: 221°C/430F
9. Packing Size: 46*38*35cm
10. Gross Weight: 14kg

Circuit Board Operation Manual(操作说明)



1. Temperature/Time Setting

		
<p>Turn on power switch, control board shows as picture.</p>	<p>Press SET button first time, the PV part shows "sp". Press arrows "△" or "▽" to set temperature.</p>	<p>Press SET button second time, the PV part shows "st". Press arrows "△" or "▽" to set time.</p>

2. Celsius(°C)/ Fahrenheit (°F) Setting

		
<p>Press "△" and "▽" once time, control board shows as picture.</p>	<p>Press "△" to input 88 as picture</p>	<p>Press SET button to enter into next interface, then press SET to choose the "ctr" interface as picture, press "△" and "▽" to change "SV" no as 0(for Celsius) or 1(for Fahrenheit). press SET 4 seconds to quit.</p>

3. Temperature Compensation Setting

	
<p>press SET button 4 seconds to enter into interface as picture.</p>	<p>press SET to choose "pb" interface as picture, then Press "△" and "▽" to set temperature compensation numbers. For example, if the real temperature is 15 °C higher than control board shows, pls input +15 into the AV part, if the real temperature is 15°C lower than control board shows, pls input -15 into the AV part. press SET 4 seconds to quit.</p>

Temperature Automatic Calibration (温度自动校准)

Press “up” button a for 10 seconds, “AT” lights flash and circuit board starts temperature automatic calibration, complete process will finish after “AT” lights stop flashing.

Circuit Diagram (电路图)

