

Operation Manual

(GS-102/ GS-102S/GS-104/GS-104S)

Safety Instructions

**When using your heat press,
basic precautions should always be followed,
including the following:**

1. Read all instructions.
2. Use heat press only for its intended use.
3. To reduce the risk of electric shock, do not immerse the heat press in water or other liquids.
4. Never pull cord to disconnect from outlet, instead grasp plug and pull to disconnect.
5. Do not allow cord to touch hot surfaces, allow heat press to cool completely before storing.
6. Do not operate heat press with a damaged cord or if the equipment has been dropped or damaged. To reduce the risk of electric shock, do not disassemble or attempt to repair the heat press. Take it to a qualified service person for examination and repair. Incorrect assembly or repair could increase the risk of fire, electric shock, or injury to persons when the equipment is used.
7. This appliance is not intended for use by persons (including children) with reduced physical, sensory or mental capabilities, or lack of experience and knowledge, unless they have been given supervision or instruction concerning use of the appliance by a person responsible for their safety.
8. Close supervision is necessary for any heat press being used by or near children. Do not leave equipment unattended while connected.
9. Burns can occur when touching hot metal parts.
10. To reduce the likelihood of circuit overload, do not operate other high voltage equipment on the same circuit.
11. If an extension cord is necessary, then a 20 amperage rated cord should be used. Cords rated for less amperage may overheat. Care should be taken to arrange the cord so that it cannot be pulled or tripped over.

Table Of Contents

Safety Instructions.....	1
Technical Parameters.....	3-4
Machine View.....	5
Control Panel Guide.....	6
Operating Instructions.....	7-10
● Connecting the System.....	7
● Turning the System On.....	7
● Adjusting the Temperature.....	8
● Adjusting the Time.....	8
● Adjusting the Pressure.....	9
● Printing and Pressing.....	9
● Counter Setting.....	10
● Switch Between F/C.....	10
● Temperature Clibration.....	10
Exploded Views And Parts List.....	11-14
Electrical Schematic.....	15

Technical Parameters(GS-102/102S)

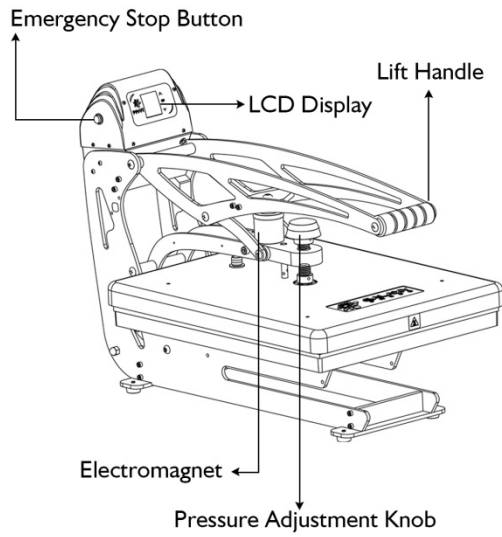
Model:	GS-102-1515	GS-102S-1515	GS-102-1620	GS-102S-1620
Heater Size:	15"×15" (381×381mm)	15"×15" (381×381mm)	16"×20" (406×508mm)	16"×20" (406×508mm)
Pressure Display:	No	No	No	No
Auto Open:	Yes	Yes	Yes	Yes
Slide-out Lower Platen:	No	Yes	No	Yes
Power(120volt)	1800W/16.4Amps	1800W/16.4Amps	1800W/16.4Amps	1800W/16.4Amps
Power(240volt)	1800W/8.2Amps	1800W/8.2Amps	1800W/8.2Amps	1800W/8.2Amps
Temperature Range:	Max.221°C/430°F	Max.221°C/430°F	Max.221°C/430°F	Max.221°C/430°F
Heating Up Time (180°C)	20minutes	20minutes	20minutes	20minutes
Time Range:	0~999S	0~999S	0~999S	0~999S
Way To Change Lower Platen:	Manual Change	Manual Change	Manual Change	Manual Change
Available Extra Lower Platen:	LP-0404-A-S (4"×4")	Perfect for small items, youth apparel, and garments that have buttons, zippers, and seams in close proximity.		
	LP-1115-A-S(11"×15")	Most Valuable Platen. Easily decorate youth and women's size garments.		
	LP-0810-A-S (8"×10")	Heat print onto totes and polypropylene shopping bags. Slide bag onto the platen for efficient heat printing on both sides.		
	LP-0620-A-S(6"×20")	Decorate sleeves, pant legs, and youth size garments with ease.		
	LP-0610-A-S(6"×10")	Use for creating custom left chest logos without damaging seams, buttons, or zippers.		
	LP-Dia5-A-S(5"round)	Personalize the ends of duffle bags, sides of gym bags, and backpacks.		
Machine Size(open size):	63×41×86cm	63×41×86cm	75×43×100cm	75×43×100cm
Packing Size:	74×48×57cm	74×48×57cm	84×52×59.5cm	84×52×59.5cm
Packing Weight:	34kg	49kg	39kg	54kg
Certificate:	CE,FCC			
Warranty:	10years on upper heat platen, 1 year on parts			

Technical Parameters(GS-104/104S)

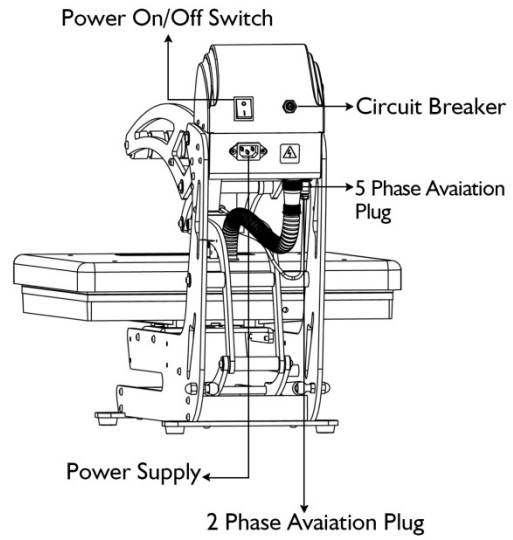
Model:	GS-104-1515	GS-104S-1515	GS-104-1620	GS-104S-1620
Heater Size:	15"×15" (381×381mm)	15"×15" (381×381mm)	16"×20" (406×508mm)	16"×20" (406×508mm)
Pressure Display:	No	No	No	No
Auto Open:	Yes	Yes	Yes	Yes
Slide-out Lower Platen:	No	Yes	No	Yes
Power(120volt)	1800W/16.4Amps	1800W/16.4Amps	1800W/16.4Amps	1800W/16.4Amps
Power(240volt)	1800W/8.2Amps	1800W/8.2Amps	1800W/8.2Amps	1800W/8.2Amps
Temperature Range:	Max.221℃/430℉	Max.221℃/430℉	Max.221℃/430℉	Max.221℃/430℉
Heating Up Time (180℃)	20minutes	20minutes	20minutes	20minutes
Time Range:	0~999S	0~999S	0~999S	0~999S
Way To Change Lower Platen:	"Ramlock" quick change system	"Ramlock" quick change system	"Ramlock" quick change system	"Ramlock" quick change system
Available Extra Lower Platen:	LP-0404-A-S (4"×4")	Perfect for small items, youth apparel, and garments that have buttons, zippers, and seams in close proximity.		
	LP-1115-A-S(11"×15")	Most Valuable Platen. Easily decorate youth and women's size garments.		
	LP-0810-A-S (8"×10")	Heat print onto totes and polypropylene shopping bags. Slide bag onto the platen for efficient heat printing on both sides.		
	LP-0620-A-S(6"×20")	Decorate sleeves, pant legs, and youth size garments with ease.		
	LP-0610-A-S(6"×10")	Use for creating custom left chest logos without damaging seams, buttons, or zippers.		
	LP-Dia5-A-S(5"round)	Personalize the ends of duffle bags, sides of gym bags, and backpacks.		
Machine Size(open size):	63×41×86cm	63×41×86cm	75×43×100cm	75×43×100cm
Packing Size:	74×48×57cm	74×48×57cm	84×52×59.5cm	84×52×59.5cm
Packing Weight:	34kg	49kg	39kg	54kg
Certificate:	CE,FCC			
Warranty:	10years on upper heat platen, 1 year on parts			

Machine View

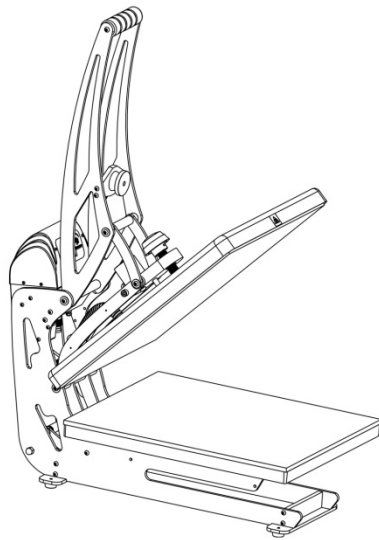
SIDE VIEW(GS-102)



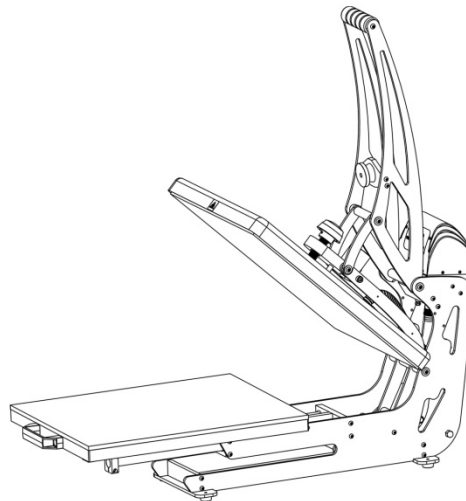
BACK VIEW(GS-102)



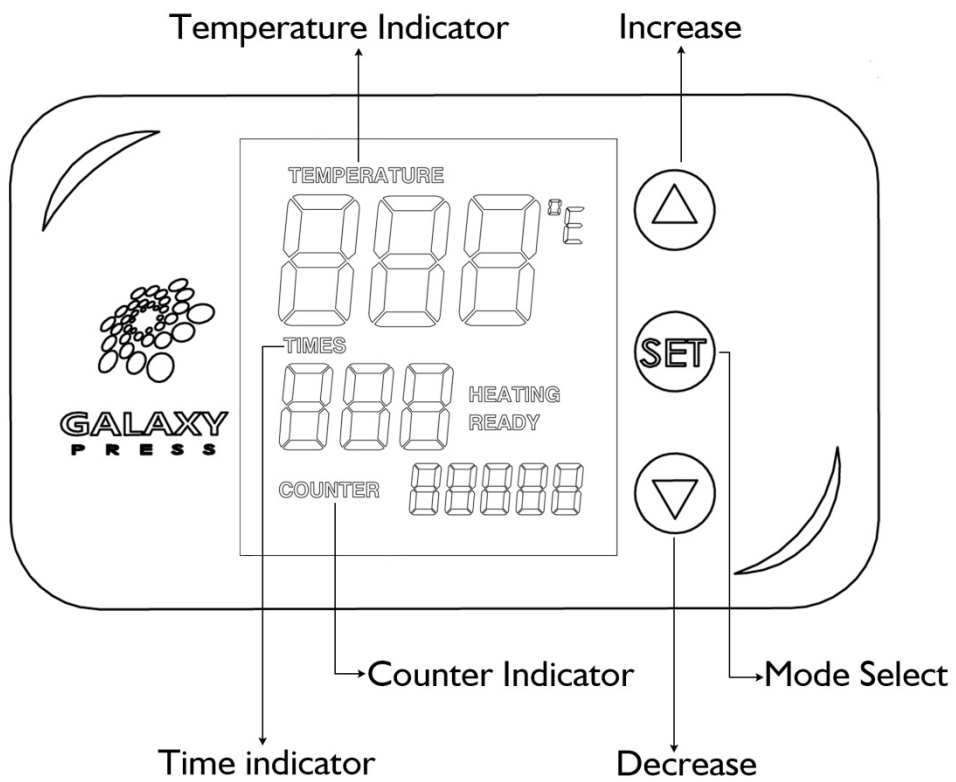
OPEN VIEW(GS-102)



OPEN VIEW(GS-102S)



Control Panel Guide



Operation Instructions

Connecting the System

1. CONNECT THE POWER CORD

1.1 Connect the power cord into a properly grounded electrical outlet with a sufficient amperage rating.

- **VOLTAGE**

120 Volt – The GS-102(S) and GS-104(S) requires a full 20 amp grounded circuit for 120 volt operation.

240 Volt –The GS-102(S) and GS-104(S) requires a full 10 amp grounded circuit for 240 volt operation.

- **EXTENSION CORDS** If used, should be as short as possible and not less than 12 gauge. Heavy duty cords are recommended.
- **CIRCUITS** that have less than 15 amps or that have other high demand equipment or appliances (especially more than one heat seal machine) plugged in, should not be used.

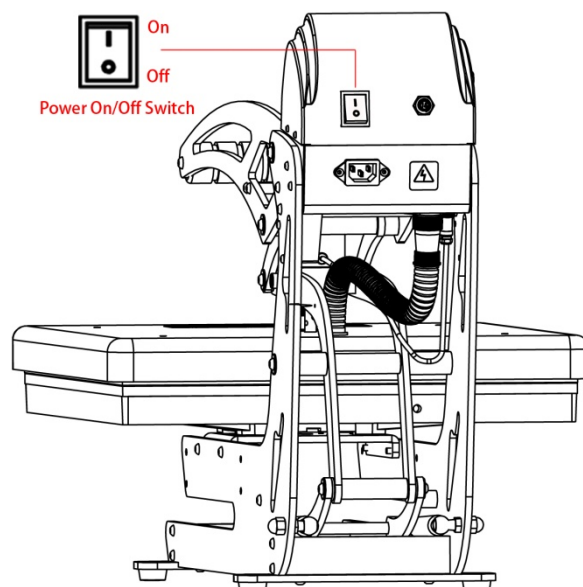
NOTE: If the supply cord is damaged, it must be replaced by the manufacturer, its service agent or a similarly qualified person in order to avoid hazard.

CAUTION Failure to follow these instructions will cause:

- 1) Erratic controller functions.
- 2) Inaccurate displays and slow heat-up.
- 3) The circuit breaker to disengage.

Turn On the System

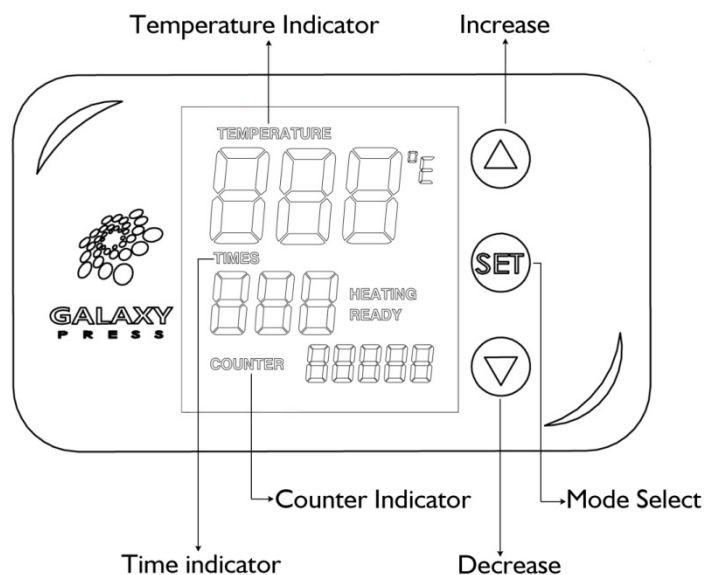
2. Switch The System On



Adjusting the Temperature

3. ADJUST THE TEMPERATURE

- Locate the LCD Display on the Press.
- 3.1 Press the Mode Select button located in the center of the Control Panel.
“Set Temp” lights located in the display will illuminate indicating you are in the adjust temperature mode.
- 3.2 Next, press the (-) button located to the bottom of the Mode Select button to lower the temperature setting, or press the (+) button located to top of the Mode Select button to raise the temperature setting. The temperature can be set from 170° F (76° C) to 430° F (220° C).
- The LCD will display changes as you make them.



Adjusting the Time

4. ADJUST THE TIME

- 4.1 Once you have adjusted the temperature, press the Mode Select button again.
“Set Time” lights located in the display will illuminate indicating you are in the adjust time mode.
- 4.2 Next, press the (-) button located to the bottom of the Mode Select button to lower the value, or press the (+) button located to top of the Mode Select button to raise the time value. The time setting range can be set from 0~999.
- The LCD will display changes as you make them.

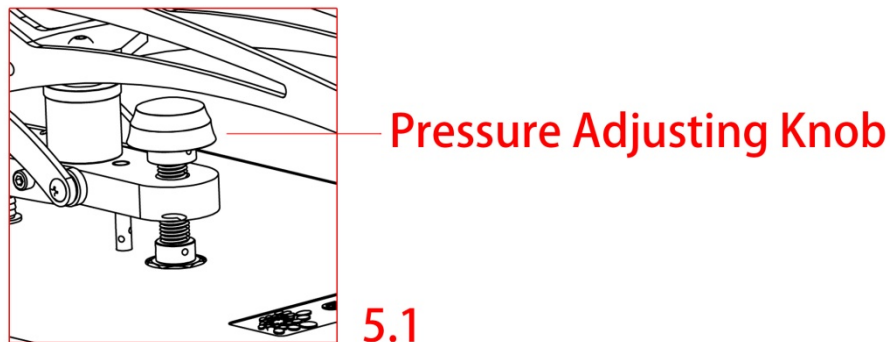
Adjusting the Pressure

5. ADJUST THE PRESSURE

5.1 First, locate the LED Display on the Press.

- The Pressure Adjustment Knob is located in the center of the heat platen(See figure 5.1)

5.2 Adjust the pressure by turning the knob clockwise to increase pressure and counter clockwise to decrease pressure.



5.3 To adjust the Pressure, simply turn the Pressure Adjustment Knob to the right or clockwise to increase the Pressure and to the left or counter clockwise to decrease the Pressure.

REMEMBER: To allow for the thickness of your garment when adjusting the pressure.

Printing And Pressing

6. PRESS

- Once your equipment has reached the designated temperature:

6.1 Position the garment and application and proceed to press.

6.2 Lower and lock the heat platen into the press position. This procedure will start the automatic timing process.

- The timer will automatically count down and lift the heat platen into the “UP” position when the press cycle is complete.

NOTE: Please be aware after time is complete, gas shocks will automatically release the platen into the “UP” position.

- The time will automatically re-set and you are ready to continue with the next application.

Counter Setting

7. Counter Setting

7.1 Press the (-) button for 4 seconds, “counter” lights located in the display will illuminate indicating you are in the adjust counter setting mode. (fig.7.1)

7.2 Next, press the (-) button to lower the value ,or press the (+) button to raise the value .The counter setting range can be set from 0~99999.

Switch Between F/C

8. Switch Between F/C

8.1 Press and hold the (+) button then press model select button, “F-C” lights located in the display will illuminate indicating you are in the adjust F-C setting mode. (fig.8.1)

8.2 Press the (-) button and (+) button to switch between Fahrenheit and Celsius

Temperature Calibration

9. Temperature Calibration

9.1 Press and hold the (-) button then press model select button, “Pb” lights located in the display will illuminate indicating you are in the adjust temperature calibration mode. (fig.9.1)

9.2 press the (-) button to lower the value ,or press the (+) button to raise the value.

if temperature on heat platen is higher than circuit board shows,pls lower the Pb value.

Example:

Heat platen temperature:190C

Circuit board temperature:185C

Pls set Pb Value at (-5)

if temperature on heat platen is lower than circuit board shows,pls raise the Pb value.

Example:

Heat platen temperature:185C

Circuit board temperature:190C

Pls set Pb Value at (+5)



7.1

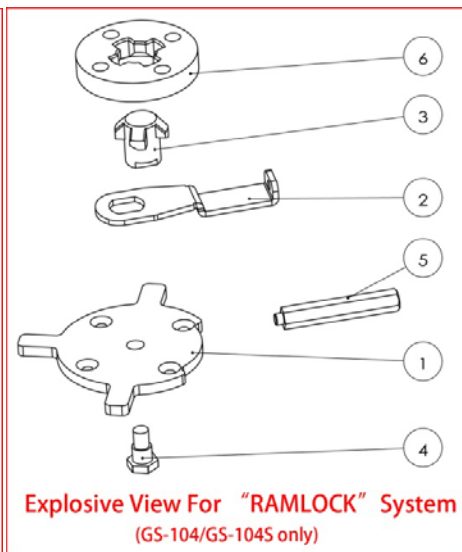
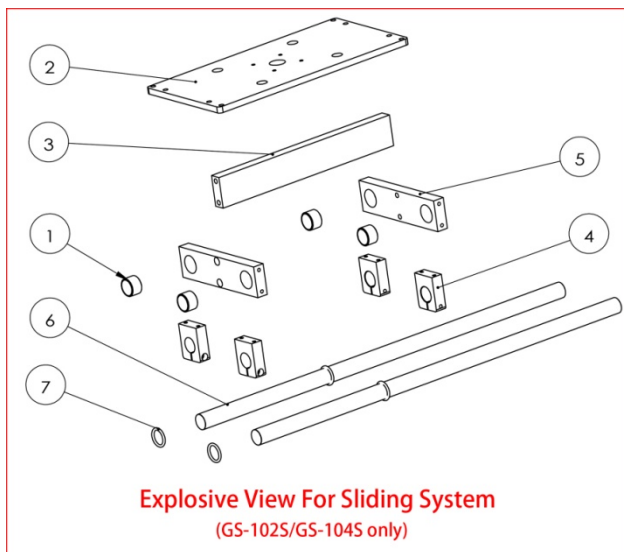
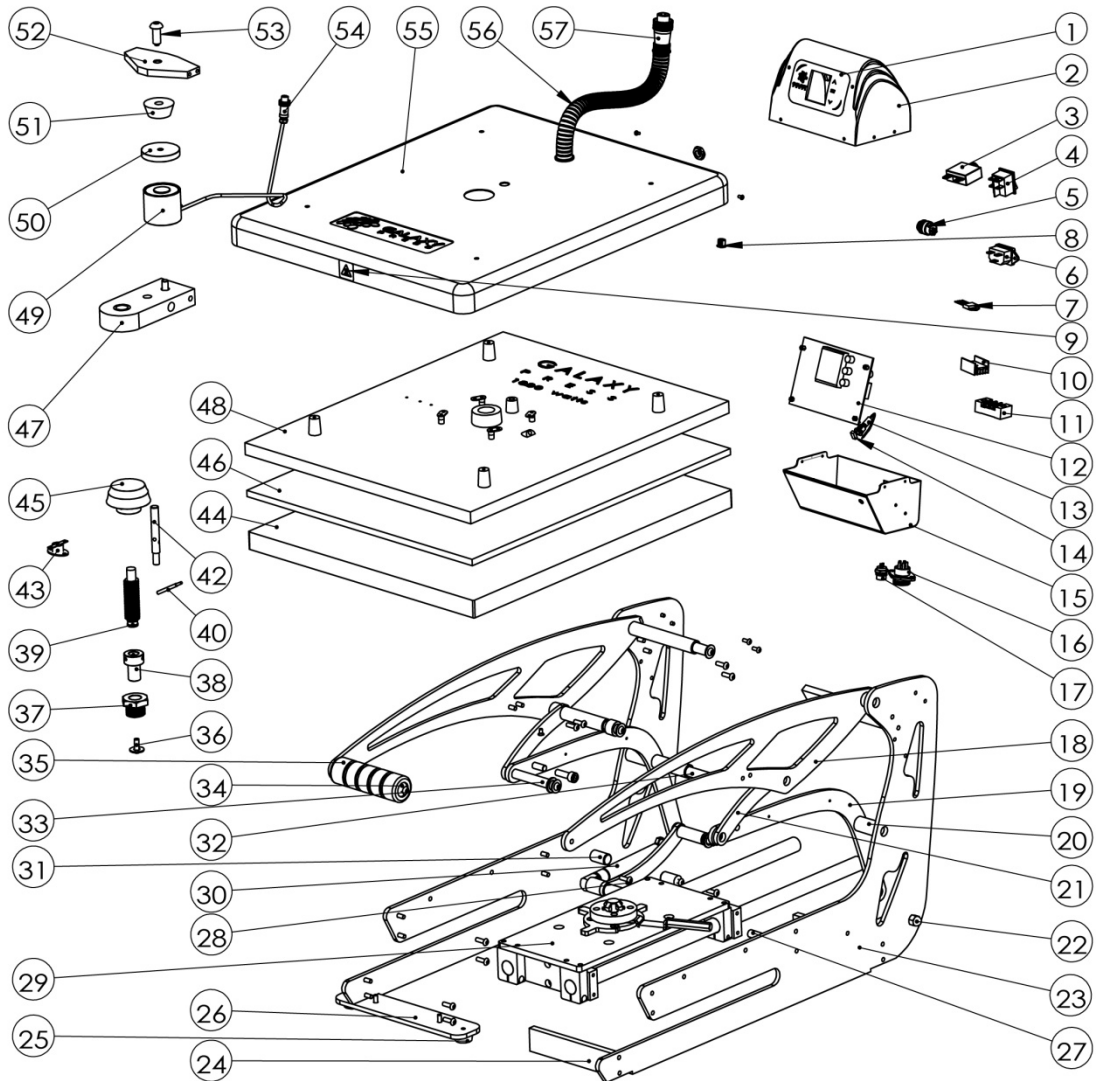


8.1



9.1

Exploded Views



No.	Part Name(Chinese)	Part Name(English)	Part No.	Qty.	Remark
1	控制板面贴 STK-GS202	Display overlay	1600549	1	
2	控制盒上罩壳浅绿 CB-01-LG	Control box top	1200446	1	
3	过载保护器15A L1150271504-01	Circuit breaker 15A	1800160	1	
4	船型开关 RK1-01	On/off switch	1800346	1	
5	无灯锁 LA128-16Y	Emergency stop button	1200579	1	
6	IEC插座 DB-14-1	socket	1800344	1	
7	可控硅 DX146-10	Triac	1800586	1	
10	散热片 CS-01	Cooling sheet	1300672	1	
11	双排三位栅栏接线排 TB1503L	Terminal Block	1800345	1	
12	控制板 GSK-G02	Circuit Board	1800353	1	
13	柱形门磁(车牙加工)MC-0627	Magnet switch	1800620	1	
14	磁铁 MT-01-B	Magnet	1800609	1	
15	表盘底座A GC1-29A	Control box base	1200685	1	
16	航空插头5芯(插座)焊线 AT20-5TB-B-WD	5 phase aviation plug (Female) with wires welded	1800955	1	
17	航空插头2芯(插座)焊线 H-12-2-WD	2 phase aviation plug (Female) with wires welded	1800962	1	
18	摇臂支架侧板B GC1-05B	Machine handle	1200581	2	GS-102(S)-1515 GS-104(S)-1515
	摇臂支架侧板 GC1-05	Machine handle	1200395	2	GS-102(S)-1620 GS-104(S)-1620
19	摇臂印台连接杆B GC1-06B	Machine arm	1200583	2	GS-102(S)-1515 GS-104(S)-1515
	摇臂印台连接杆 GC1-06	Machine arm	1200409	2	GS-102(S)-1620 GS-104(S)-1620
20	胶垫圈20-13-25黑 GC1-10B	Washer 20-13-15	2000296	2	
21	摇臂连杆B GC1-04B	Lift links	1200140	2	GS-102(S)-1515 GS-104(S)-1515
	摇臂连杆 GC1-04	Lift links	1200139	2	GS-102(S)-1620 GS-104(S)-1620
23	印台支架侧板B GC1-01B	Machine body	1200582	2	GS-102(S)-1515 GS-104(S)-1515
	印台支架侧板 GC1-01	Machine body	1200397	2	GS-102(S)-1620 GS-104(S)-1620
24	支架撑板 GC1-17	Supporting block	1200043	3	
25	脚垫 XD2512-148黑	Rubber foot	1800317	4	
26	印台支架底板 GC1-02	Machine foot	1200649	2	
27	柱栓10-72.5 GC1-21B		1200051	1	
28	气弹簧连杆B GC1-24B	Bridle links	1200138	2	GS-102(S)-1515 GS-104(S)-1515

	气弹簧连杆 GC1-24	Bridle links	1200218	2	GS-102(S)-1620 GS-104(S)-1620
29	印台底板（磁力）GC1-54	Lower platen holding base	1200230	1	
30	阻尼弹簧/18-80-270N	Gas spring 270N	1800054	2	GS-102(S)-1515 GS-104(S)-1515
	阻尼弹簧/18-80-350N	Gas spring 350N	1800055	2	GS-102(S)-1620 GS-104(S)-1620
31	气弹簧压杆 GC1-23	Position block	1200264	2	
32	柱栓13-164 GC1-18	Threaded Pin 13-164	1200050	1	
33	柱栓12-89 GC1-20	Threaded Pin 12-89	1200074	1	
34	手柄轴20-114 TB-33	Handle shaft	1200145	1	
35	手柄轴胶套（内径 19*T5*118mm） TB-111	Foam Grip	1200645	1	
36	半圆头螺栓黑 M8*16	Screw M8*16	1901071	1	
37	紧固螺母 GC1-104	Adjustment spindle base	1800142	1	
38	调节螺栓-母 GH-47D	Adjustment spindle(female)	1901072	1	
39	调节螺栓-公 GH-47C	Adjustment spindle(male)	1901073	1	
40	热电偶 THC-01	Thermocouple	1800281	1	
42	限位螺栓10-82 HPP-41	Balance screw	1901074	1	
43	突跳式温控器 TMS-01	Thermosat	1800133	1	
44	底板 LP-1515-A-S	Lower platen	1800380	1	GS-102(S)-1515
	底板 LP-1515-B-S	Lower platen	1800802	1	GS-104(S)-1515
	底板 LP-1620-A-S	Lower platen	1800387	1	GS-102(S)-1620
	底板 LP-1620-B-S	Lower platen	1800388	1	GS-104(S)-1620
45	调压旋钮塑胶浅绿 PK-LG	Adjustment knob	1800479	1	
46	硅胶垫 SP-1515-9-G	Silicon pad	1800422	1	GS-102(S)-1515 GS-104(S)-1515
	硅胶垫 SP-1620-9-G	Silicon pad	1200539	1	GS-102(S)-1620 GS-104(S)-1620
47	支撑块B嵌铜套 GS-101ZB	Platen holding block	1200068	1	GS-102(S)-1515 GS-104(S)-1515
	支撑块A嵌铜套 GS-101ZA	Platen holding block	1200042	1	GS-102(S)-1620 GS-104(S)-1620
48	发热板 HP-1515-A-D	Heat platen 15*15	1200287	1	GS-102(S)-1515 GS-104(S)-1515
	发热板 HP-1620-A-S	Heat platen 16*20	1800386	1	GS-102(S)-1620 GS-104(S)-1620
49	电磁铁600N焊接插头 H4942-WD	Electromagnet 600N	1200963	1	GS-102(S)-1515 GS-104(S)-1515
	电磁铁800N焊接插头 H6045-WD	Electromagnet 800N	1200981	1	GS-102(S)-1620 GS-104(S)-1620
50	电磁吸盘B GC1-25B	Electromagnet holding sheet	1200070	1	GS-102(S)-1515 GS-104(S)-1515

	电磁吸盘 GC1-25	Electromagnet holding sheet	1200067	1	GS-102(S)-1620 GS-104(S)-1620
51	脚垫黑 XD2515-148	Rubber foot	1200605	1	
52	磁吸板1 GC1-03A	Holding sheet	1200045	1	
53	半圆杯头M10×30 GC1-106	Holding sheet screw	1200659	1	
55	发热盘罩板B GC2-46	Heat platen cover 15*15	1200449	1	GS-102(S)-1515 GS-104(S)-1515
	发热盘罩板A GC1-46	Heat platen cover 16*20	1200450	1	GS-102(S)-1620 GS-104(S)-1620
56	PP阻燃波纹管Φ17*21.2	PP tube	1800835	1	
57	航空插头5芯(插头)焊线 AT20-5TB-A-WD	5 phase aviation plug(Male) with wires welded	1800954	1	

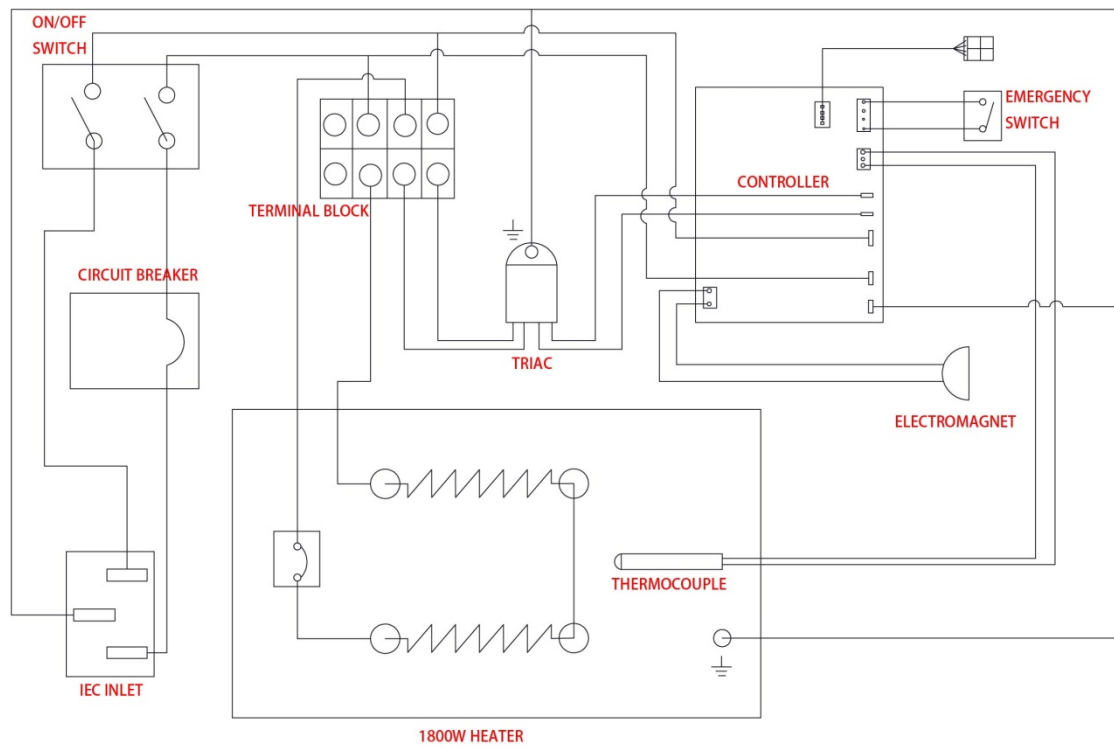
For Sliding System (GS-102S/GS-104S only)

No.	Part Name(Chinese)	Part Name(English)	Part No.	Qty.	Remark
1	无油内衬铜套 CPB-01	Cooper bush	1200075	4	
2	印台抽拉底座B GCT-03B	Sliding Lower Platen Base	1200425	1	GS-102S-1515 GS-104S-1515
	印台抽拉底座 GCT-03	Sliding Lower Platen Base	1200426	1	GS-102S-1620 GS-104S-1620
3	抽拉撑板B GCT-04B	Supporting Block	1200197	1	GS-102S-1515 GS-104S-1515
	抽拉撑板 GCT-04	Supporting Block	1200052	1	GS-102S-1620 GS-104S-1620
4	轴承座 GCT-02	Bearing block	1200648	4	
5	轴杆固定板 GCT-01	Plated bar fixed board	1200044	2	
6	轴杆B GCT-05B	Plated bar	1200411	2	GS-102S-1515 GS-104S-1515
	轴杆 GCT-05	Plated bar	1701037	2	GS-102S-1620 GS-104S-1620
7	O型垫圈 WSH-02	O shape washer	1200309	4	

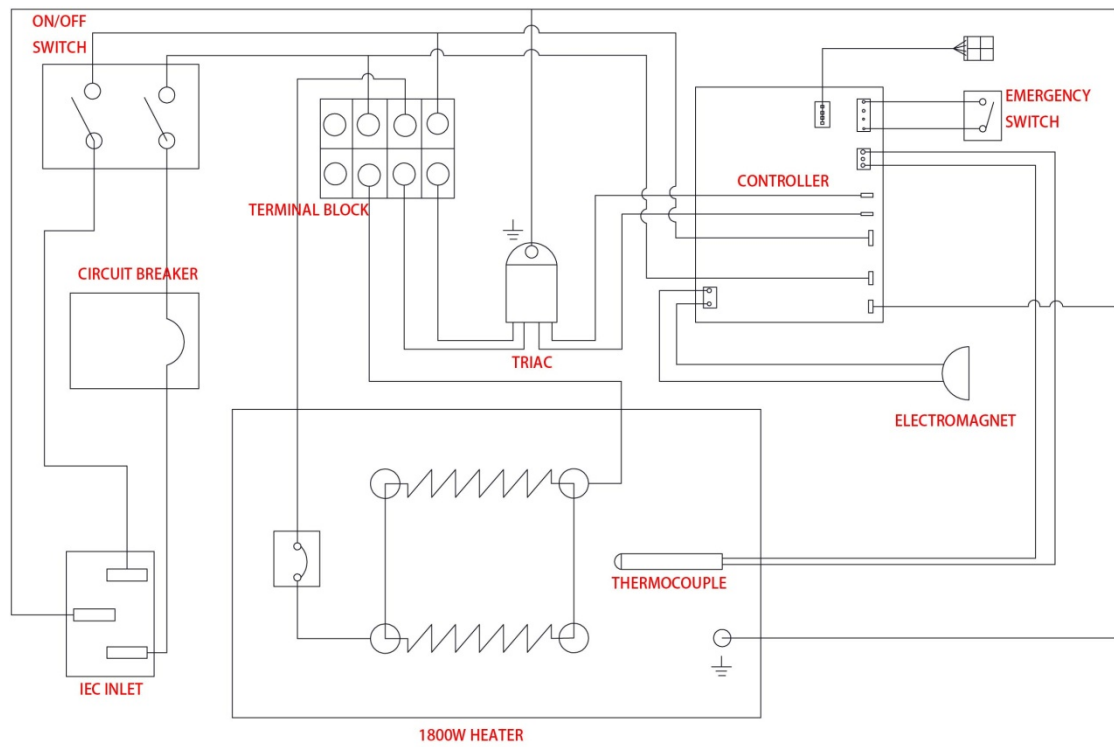
For "RAMLOCK" System (GS-104/GS-104S only)

No.	Part Name(Chinese)	Part Name(English)	Part No.	Qty.	Remark
1	嵌套底座 GH-112	Ramlock base	1200958	1	
2	嵌套锁扣 GH-113	Ramlock locking sheet	1200960	1	
3	嵌套突卡 GH-114	Ramlock locking set(male)	1200961	1	
4	轴杆锁定螺丝 GH-24	Ramlock locking screw	1900959	1	
5	嵌套手柄 GH-1131	Ramlock handle	1200956	1	
6	嵌套凹卡 GH-111	Ramlock locking set(female)	1200957	1	

Electrical Schematic



230V VERSION



120V VERSION