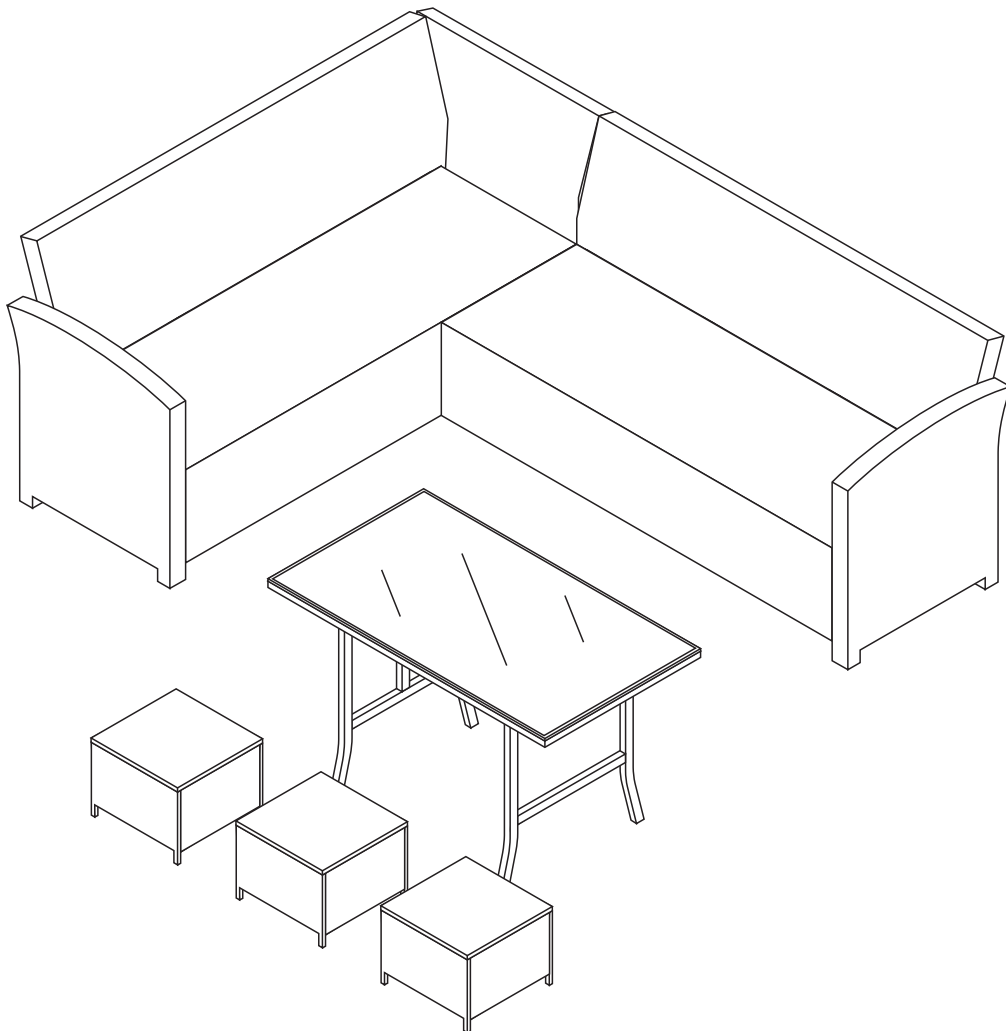
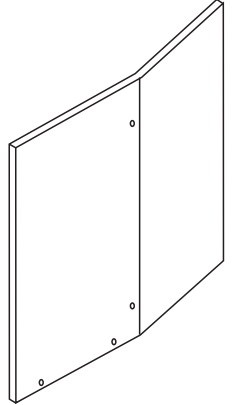
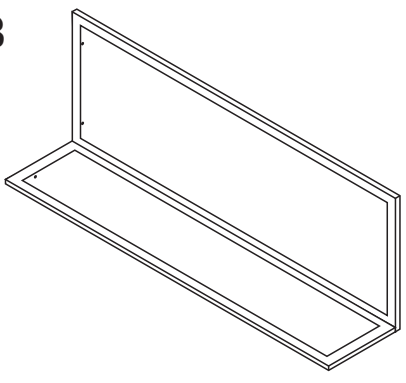
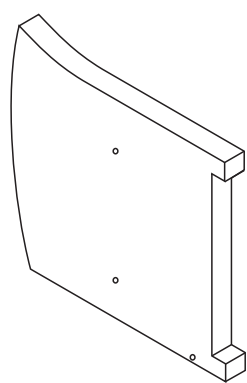
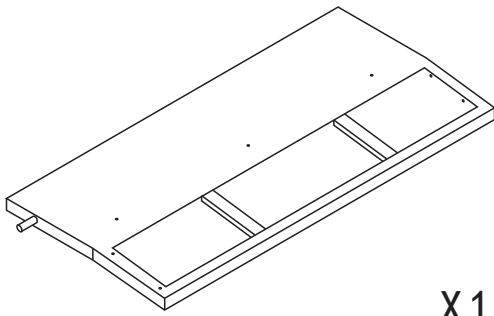
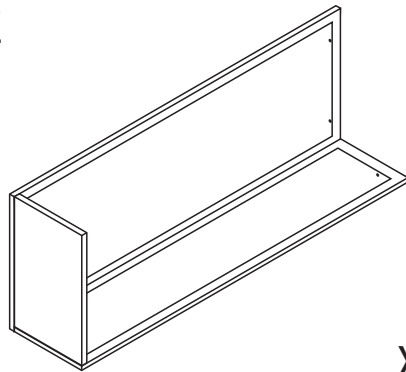
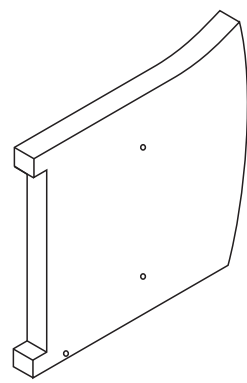
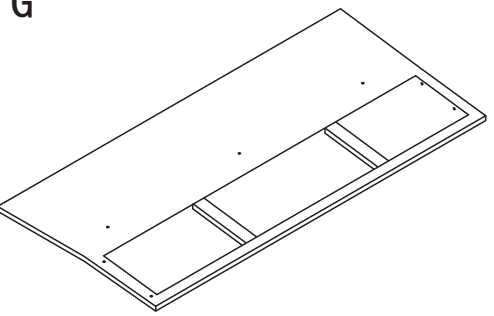
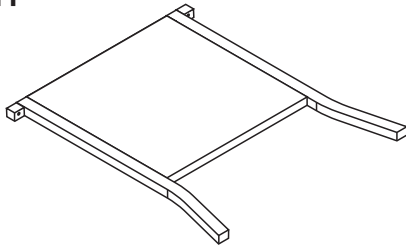
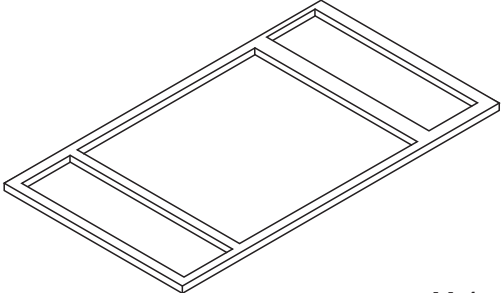
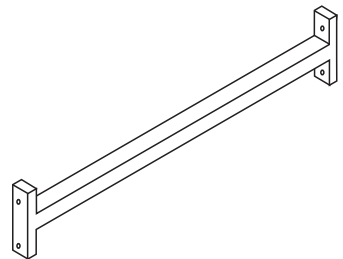
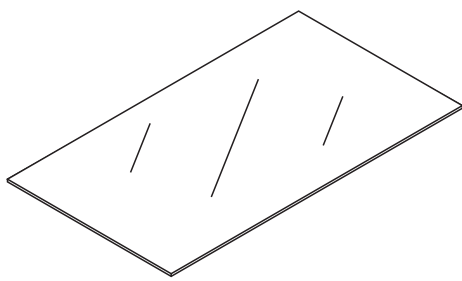
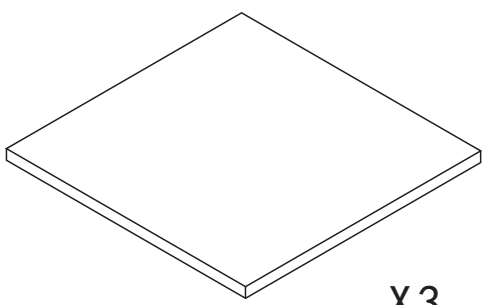
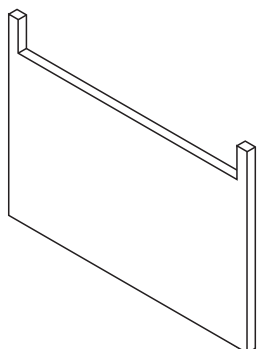
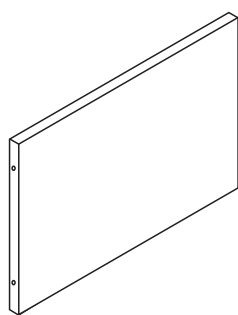
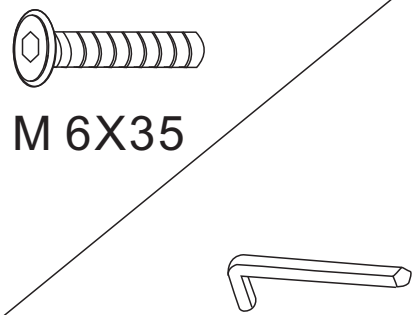


9504

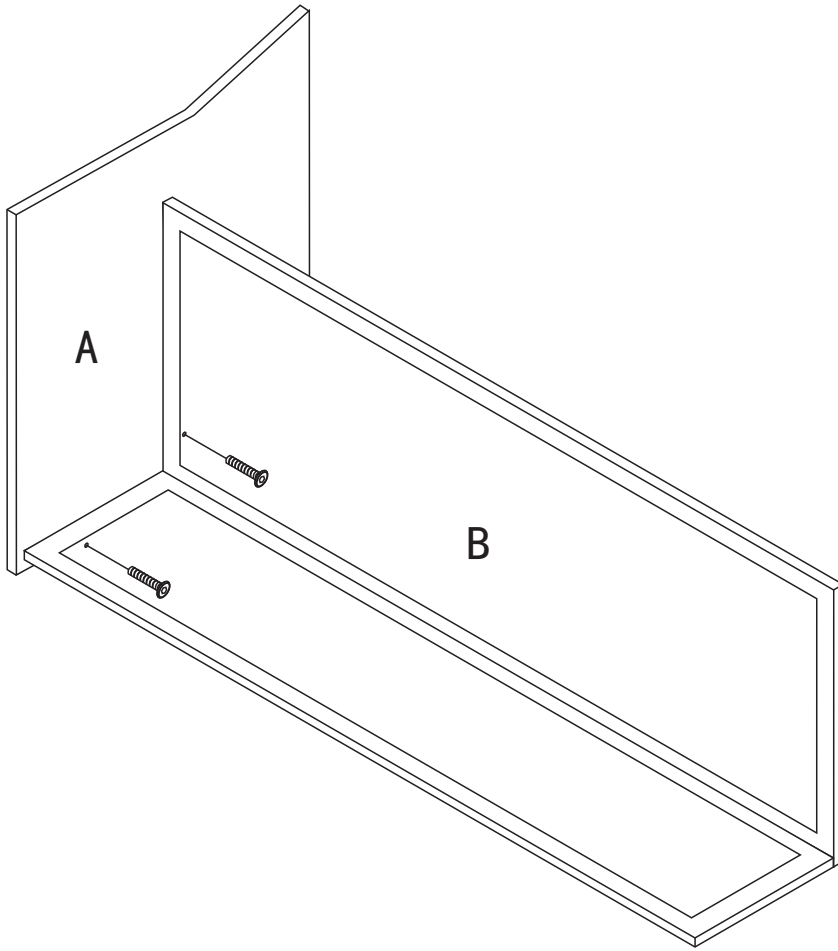


NOTE: DO NOT TIGHTEN BEFORE FIXING ALL BOLTS

<p>A</p>  <p>X1</p>	<p>B</p>  <p>X1</p>	<p>C</p>  <p>X1</p>
<p>D</p>  <p>X1</p>	<p>E</p>  <p>X1</p>	<p>F</p>  <p>X1</p>
<p>G</p>  <p>X1</p>	<p>H</p>  <p>X2</p>	<p>I</p>  <p>X1</p>
<p>J</p>  <p>X1</p>	<p>K</p>  <p>X1</p>	<p>L</p>  <p>X3</p>
<p>M</p>  <p>X6</p>	<p>N</p>  <p>X6</p>	<p>O</p>  <p>M 6X35</p> <p>X68</p>

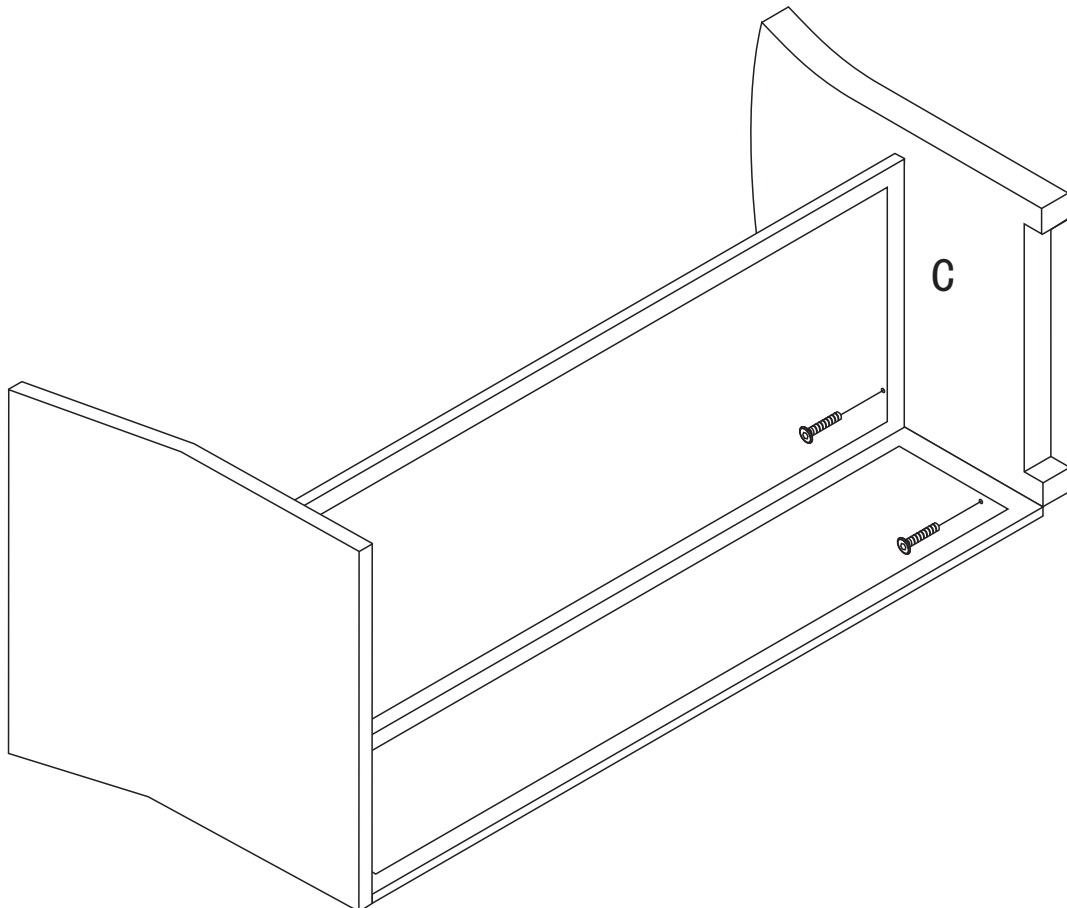
NOTE:DO NOT TIGHTEN BEFORE FIXING ALL BOLTS

1



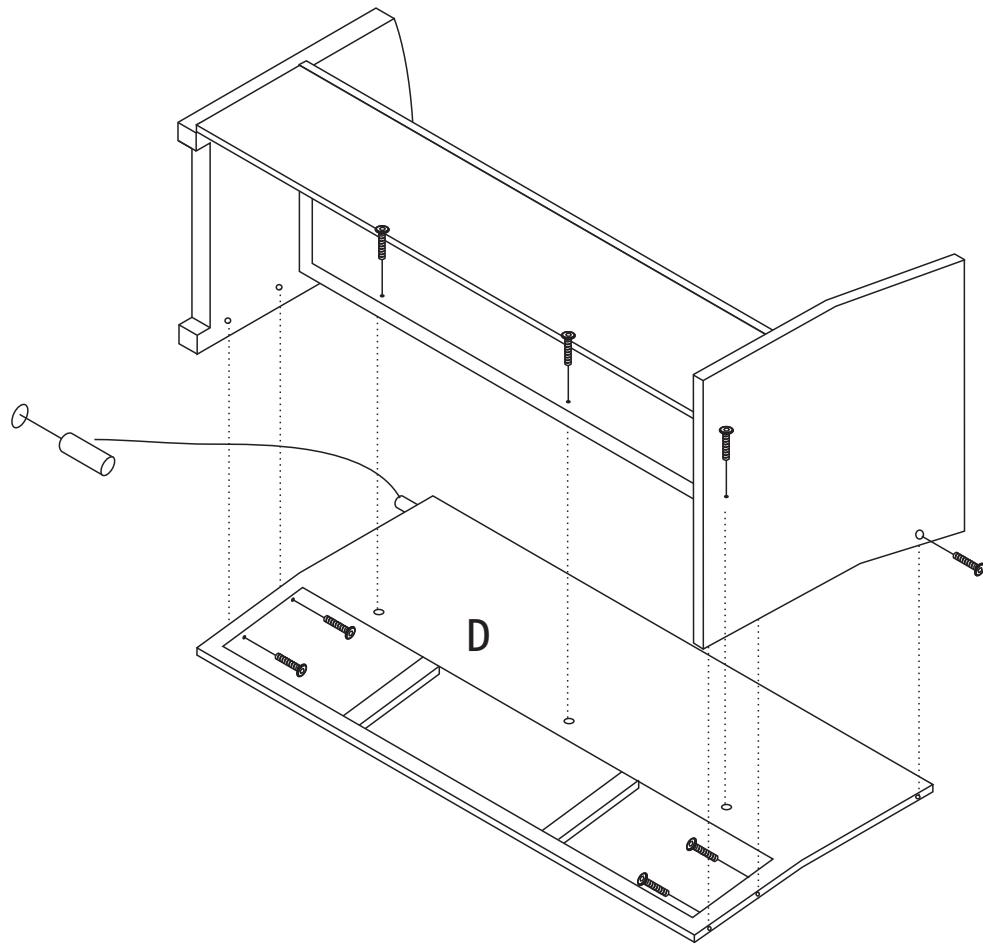
NOTE:DO NOT TIGHTEN BEFORE FIXING ALL BOLTS

2



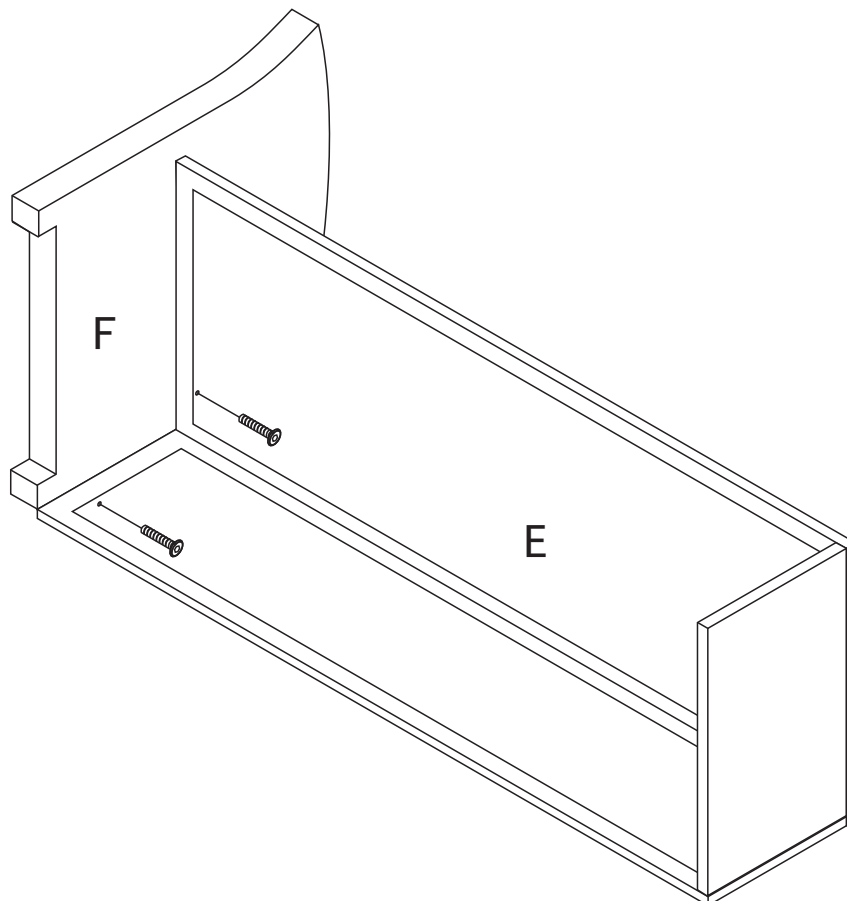
3

NOTE:DO NOT TIGHTEN BEFORE FIXING ALL BOLTS



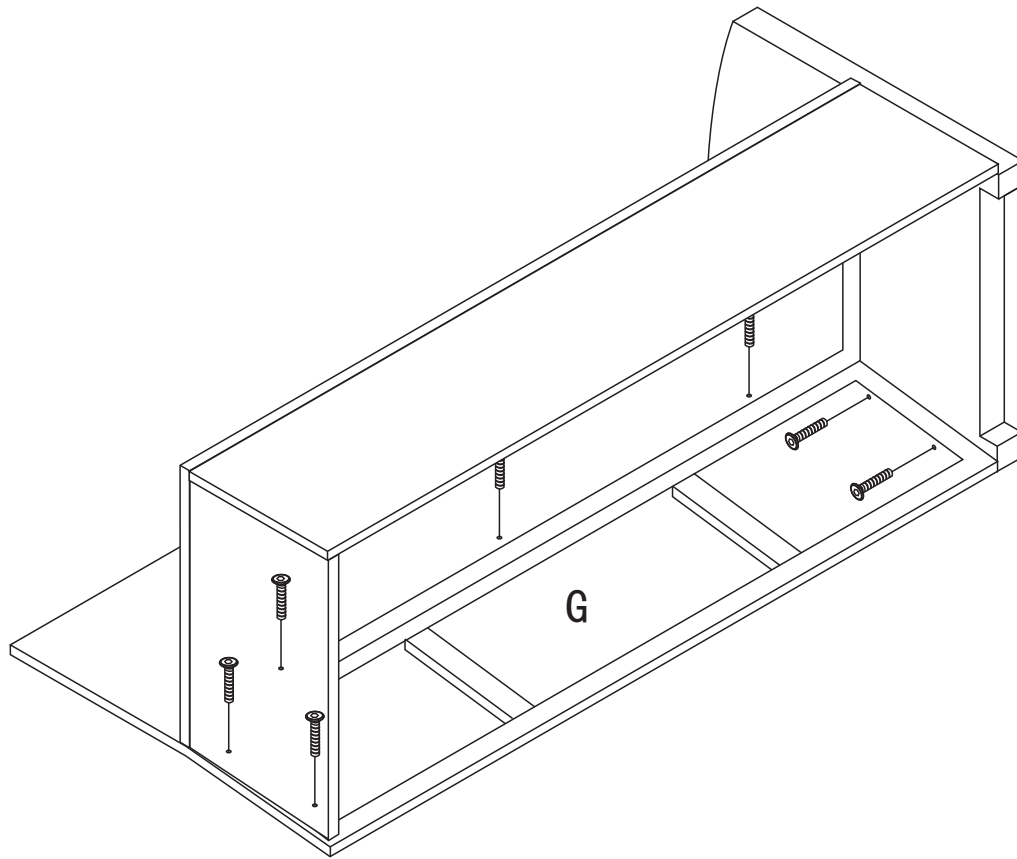
4

NOTE:DO NOT TIGHTEN BEFORE FIXING ALL BOLTS



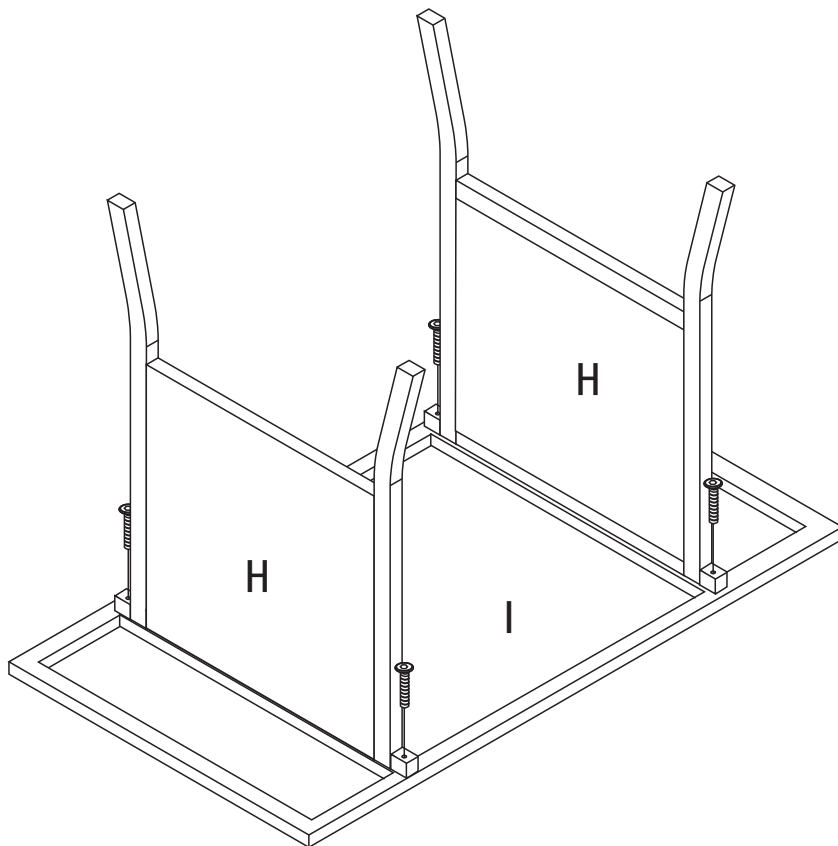
5

NOTE:DO NOT TIGHTEN BEFORE FIXING ALL BOLTS



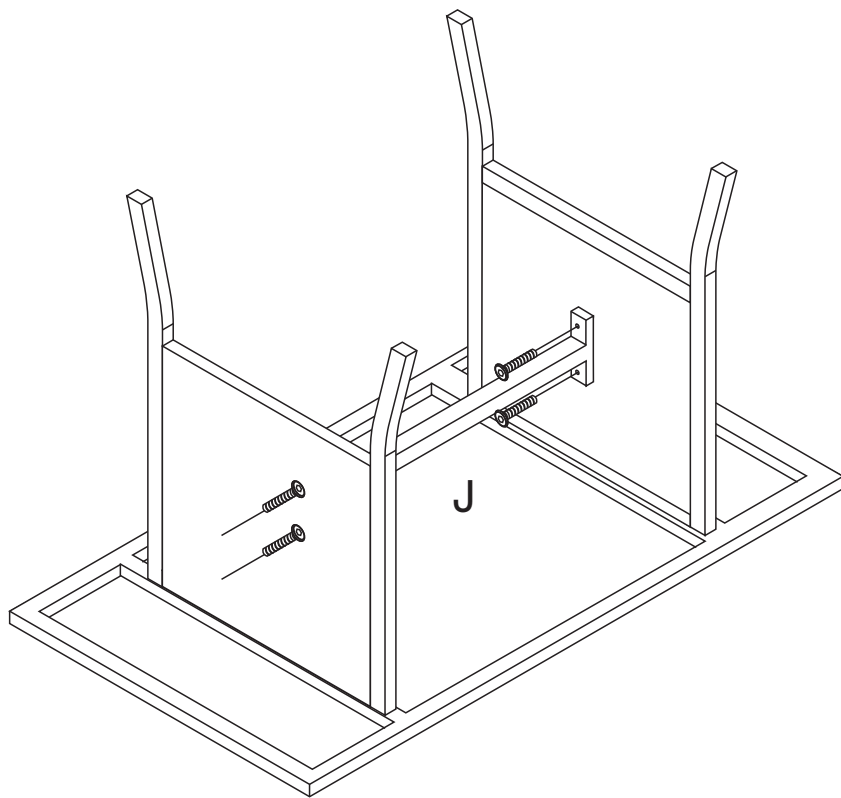
6

NOTE:DO NOT TIGHTEN BEFORE FIXING ALL BOLTS



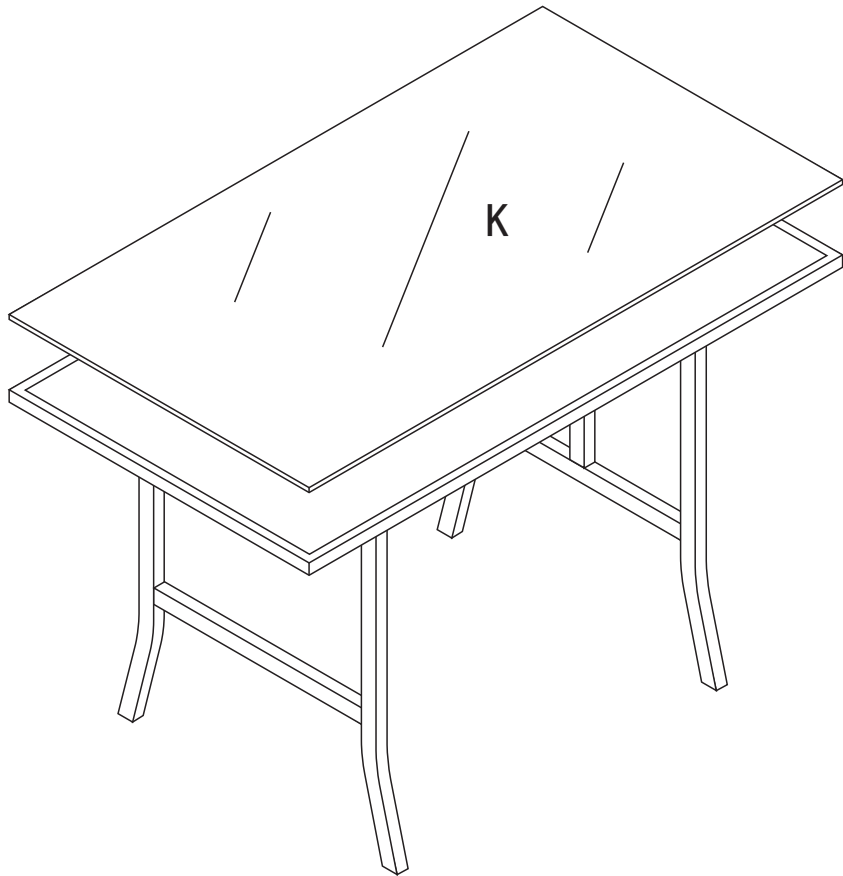
7

NOTE:DO NOT TIGHTEN BEFORE FIXING ALL BOLTS



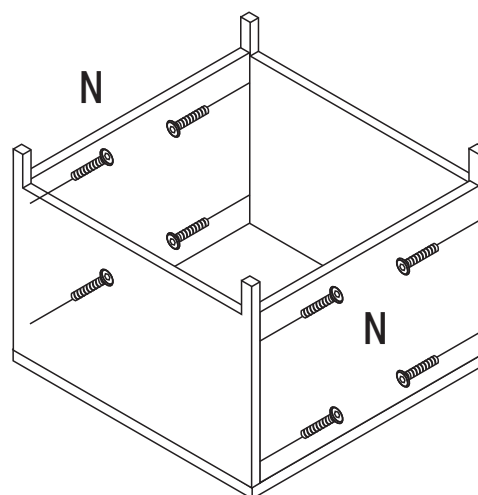
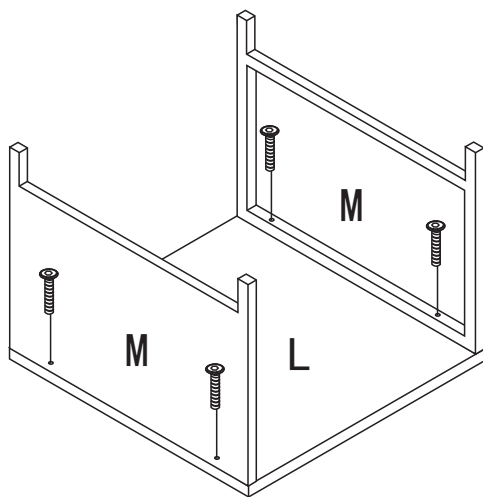
8

NOTE:DO NOT TIGHTEN BEFORE FIXING ALL BOLTS



9

NOTE:DO NOT TIGHTEN BEFORE FIXING ALL BOLTS



10

NOTE:DO NOT TIGHTEN BEFORE FIXING ALL BOLTS

