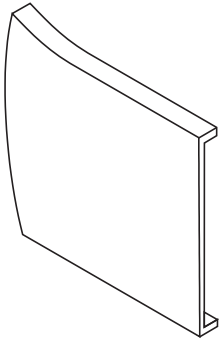


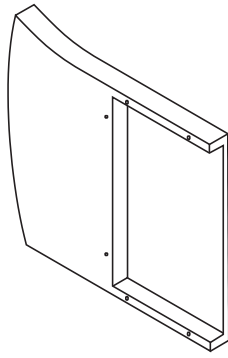
NOTE: 50% TIGHTEN BEFORE FIXING ALL BOLTS

A



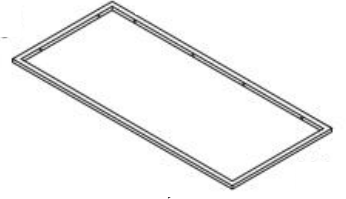
X3

B



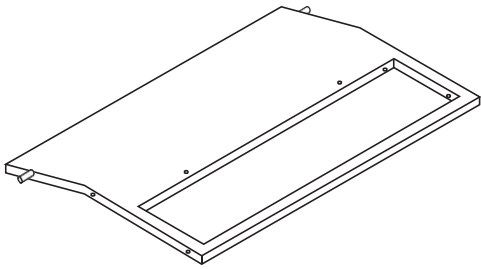
X3

C



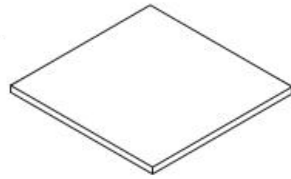
X1

D



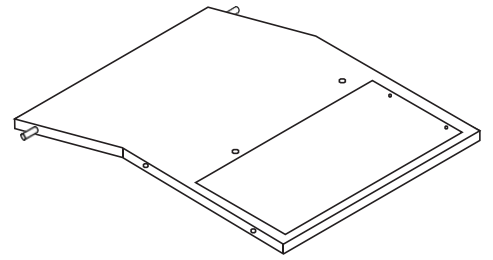
X1

E



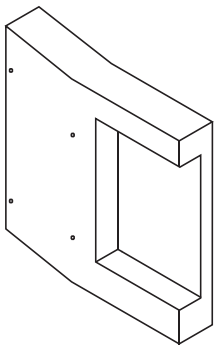
X2

F



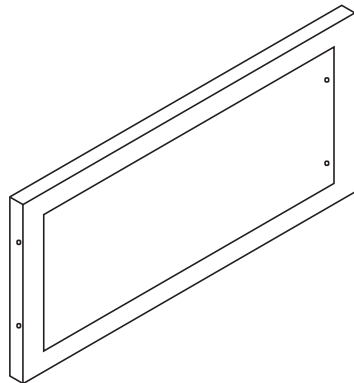
X2

G



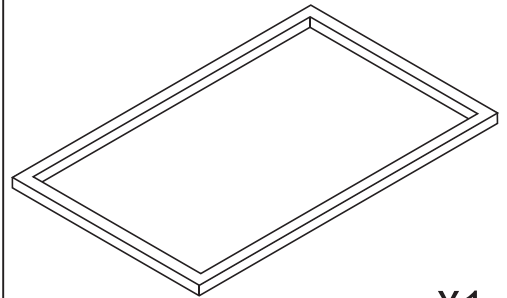
X2

H



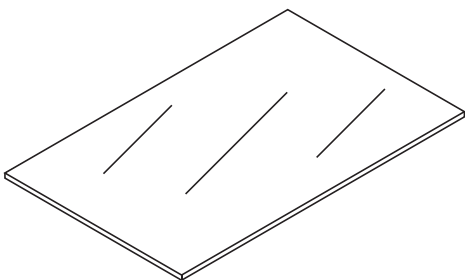
X1

I



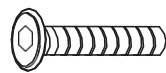
X1

J



X1

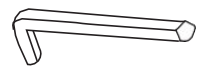
K



M 6X35

X52

L



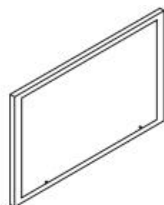
X1

M



X1

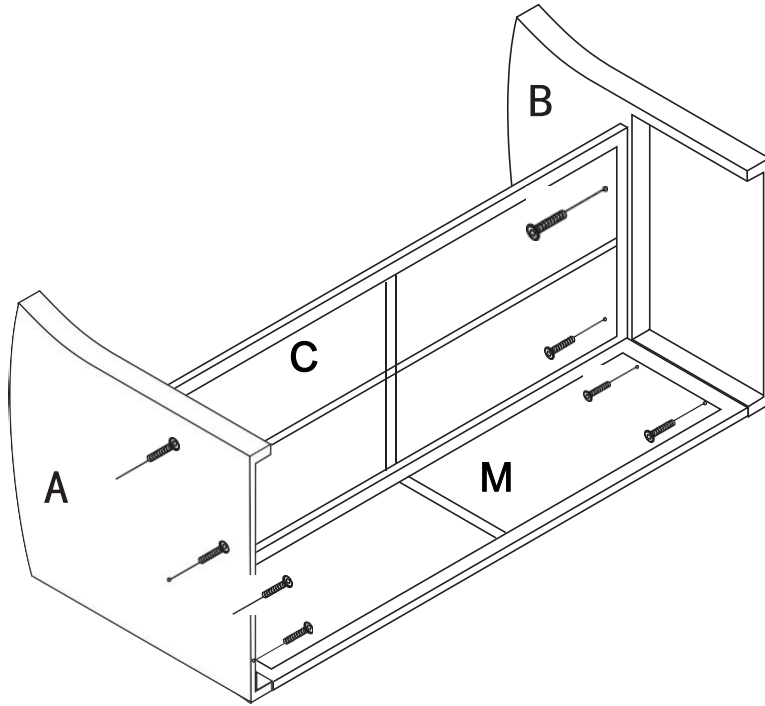
N



X2

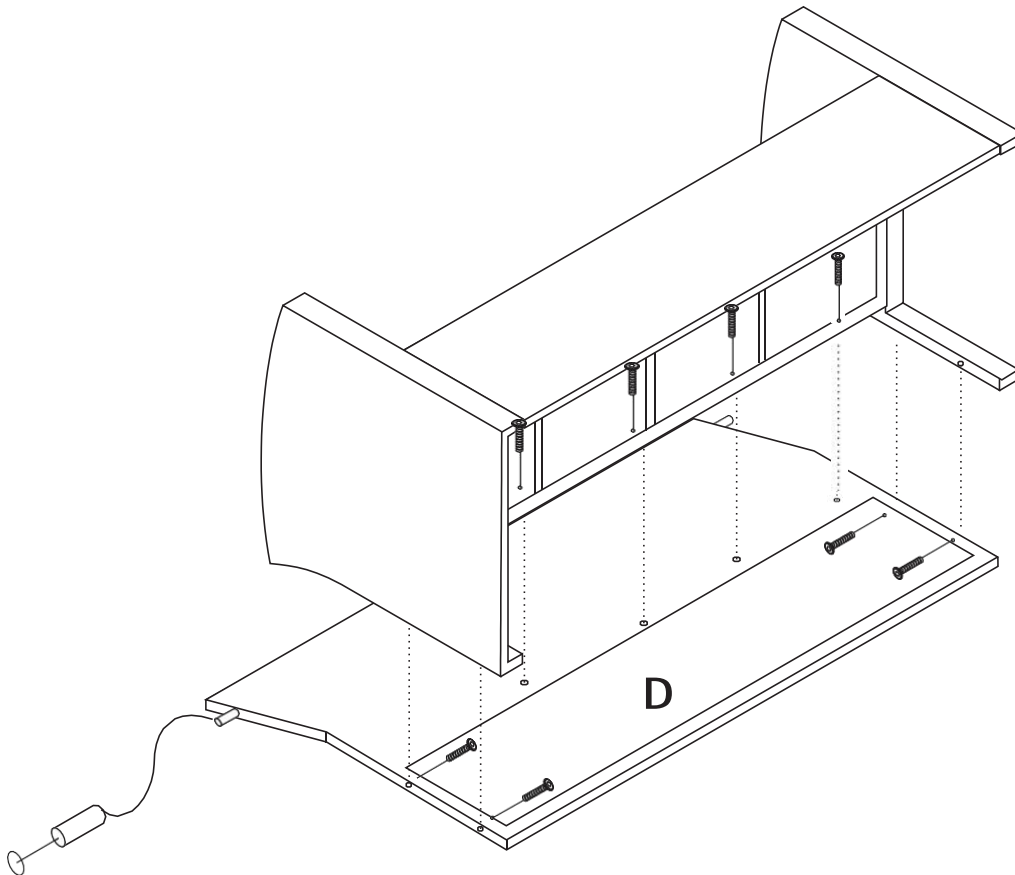
1

NOTE: 50% TIGHTEN BEFORE FIXING ALL BOLTS



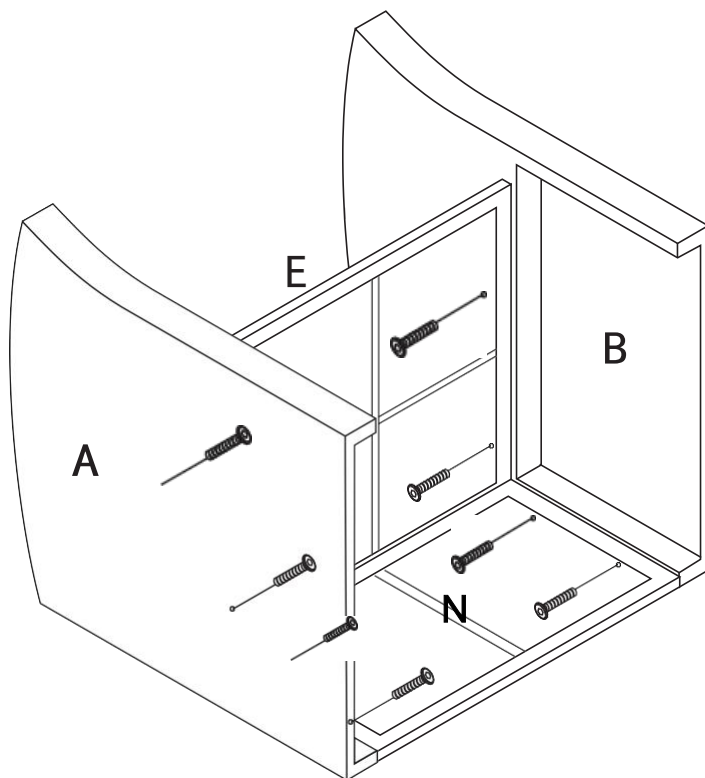
2

NOTE: 50% TIGHTEN BEFORE FIXING ALL BOLTS



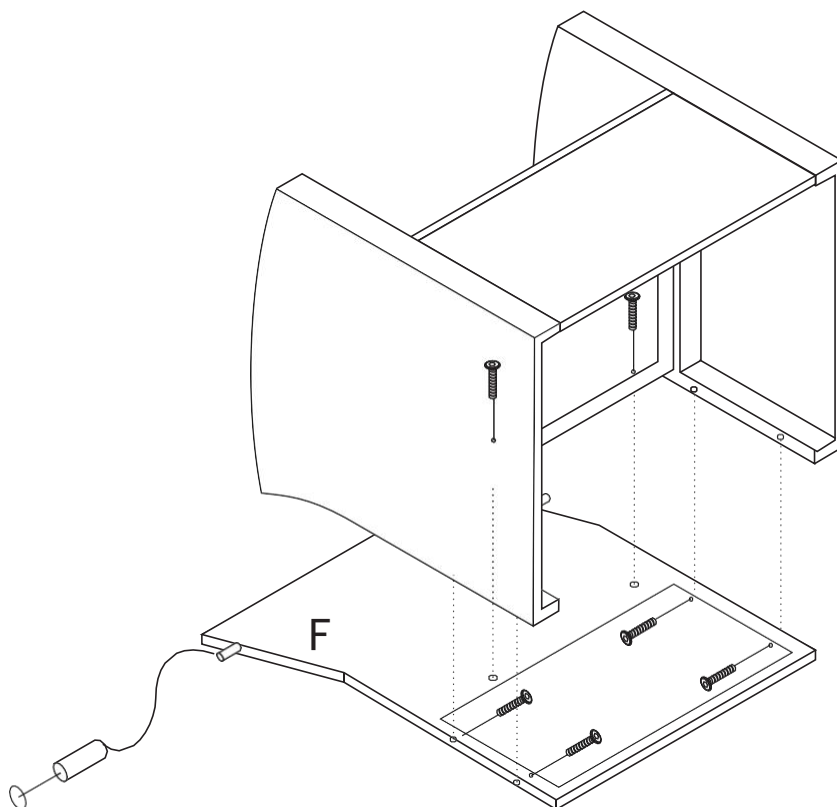
3

NOTE: 50 % TIGHT EN BEFORE FIXING ALL BOLTS



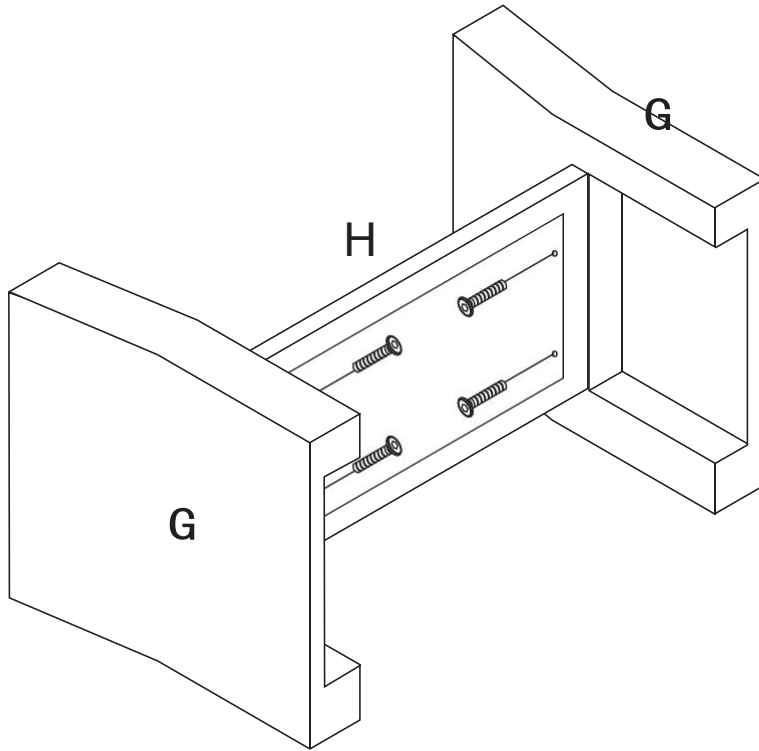
4

NOTE: 50 % TIGHT EN BEFORE FIXING ALL BOLTS



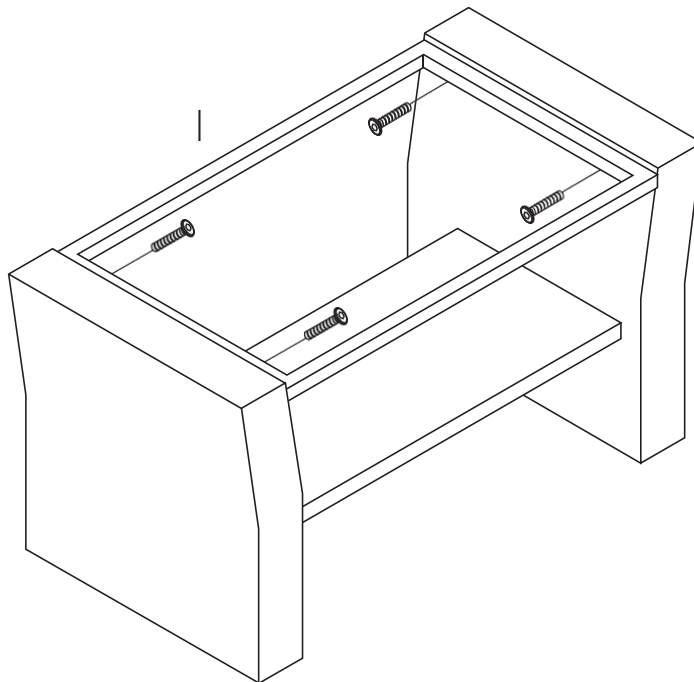
5

NOTE: 50 % TIGHT EN BEFORE FIXING ALL BOLTS



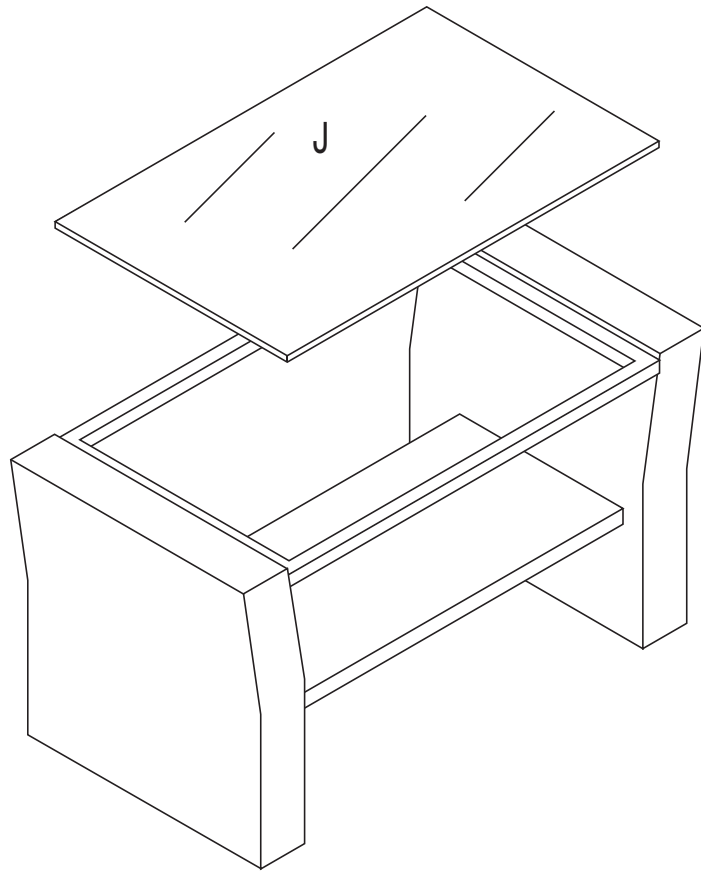
6

NOTE: 50 % TIGHT EN BEFORE FIXING ALL BOLTS



7

NOTE: 50% TIGHT EN BEFORE FIXING ALL BOLTS



8

NOTE: 50% TIGHT EN BEFORE FIXING ALL BOLTS

